

SEMI AUTOMATIC DOORS

Double panel doors



NEW & EXISTING INSTALLATION
MODERNIZATION AND REPLACEMENT



FREIGHT
LIFTS




Door configuration





LIFT APPLICATION

Door cycles per year:	Up to 350.000.
Traffic peak of the door:	Up to 240 cycles per hour.
Traffic lift speed:	Up to 2,5 m/s.

APPLICATION RANGE

	Opening	Clear opening - CO (mm)	Clear height - CH (mm) *
Steel	C2	950 - 2750 (Classic)	2000 - 3000
	C2	950 - 1700 (Classic fire resistant)	2000 - 2400
St. St.	C2	950 - 2350 (Classic)	2000 - 2350
	C2	950 - 1700 (Classic fire resistant)	2000 - 2350
			*  for CH < 2000 mm

PANELS

Opening	Sheet metal	Small vision	Big vision	Aluminium glass	-
					-
x	✓	✓	x	x	-

FRAMES DEFINITION

Frame depth (mm)	Jamb J1 (mm)	Header - HD (mm)	Jamb J2 (mm)	Remarks	Frame type				Option			
					STD	MSS MV	MSS MH	Con-cealed	Lateral covers	Without extra stroke	MRL	Without Lateral Punching
50	125	125	125	-	✓	x	x	x	x	x	x	x

STANDARDS

Opening	EN 81-1/2 Safety rules	EN 81-21 Existing buildings	EN 81-28 Remote alarm	EN 81-41 Impaired mobility	EN 81-71 Vandal resistance lifts		EN 81-72 Firefighters lifts	EN 81-20/50 Safety rules
					Cat. I	Cat. II		
C2	✓	✓	x	x	x	x	x	✓

Available⁽¹⁾. Not available.  Ask the commercial department.

⁽¹⁾Some option combinations may not be possible.

Door configuration







PROTECTION

Opening	IP20 Protection against a solid foreign body of 12,5 mm or more in diameter.	IP40 Protection against a solid foreign body of 1 mm or more in diameter.	IP54 Protection against dust and protected against water splashed from all directions.	IP67 Sealed against dust and protected against temporary water immersion (up to 1 meter for 30 min)
C2	✓	✓	✓	✓

COMPATIBLE LOCKS

Manufactured by	Description	Lock options	Safety contact options
Zantioti	Mechanic lock	IP20	IP20
Kronenberg	Mechanic lock	IP40 / IP54 / IP67	IP20 / IP67
	Electric lock	IP40 / IP54	IP20 / IP67

COMPATIBILITY


Cam detail						
Case	Automatic horizontal sliding car door 40/10 PM, 50/11PM, 40/10 VF, 50/11 VF,					Automatic folding car door G3, G5, G5-EM
Coupling	Sliding cams					Folding cams
Type of cam	Frontal retractable	Inverted lateral retractable	Lateral retractable	Fixed	Flexible Fixed	Lateral retractable
Toe guard type	Standard	Standard	Standard	Standard	Standard	Standard
Toe guard height	270	270	270	270	270	270
Thickness	2	2	2	2	2	2
Range	All	All	All	All	All	All

Available⁽¹⁾. Not available.  Ask the commercial department.

⁽¹⁾Some option combinations may not be possible.

Door configuration

SPECIAL CONSTRUCTIONS

CO x CH ≥ 6,5 m2	
CO ≥ 3000 & CH ≥ 2000	
CO ≥ 1800 & CH ≥ 3000	

GENERAL FEATURES

Hinges	Number / type depends on door configuration
Total weight	Reference: C2 CO: 1400 mm HL: 2000 mm with vision panels -138g
Self closing system	Spring Optional : DITEC (button actuated system)
Door opening	Independent door panel opening (pg 5) Right panel first: as shown (pg 6) Left panel first: Mirror (pg 6)
Door opening angle	With spring closing system = 95° Without spring closing system = 180°
Roller lever position	Door header left side (default) Door header right side Door frame on left side (height as requested) Door frame on right side (height as requested)

INSTALLATION

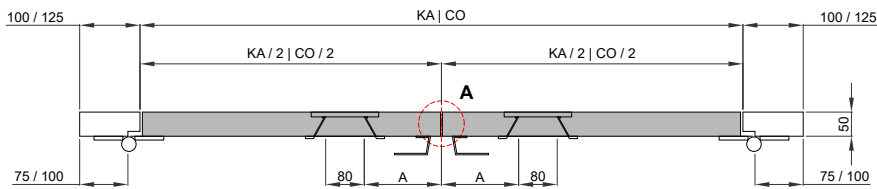
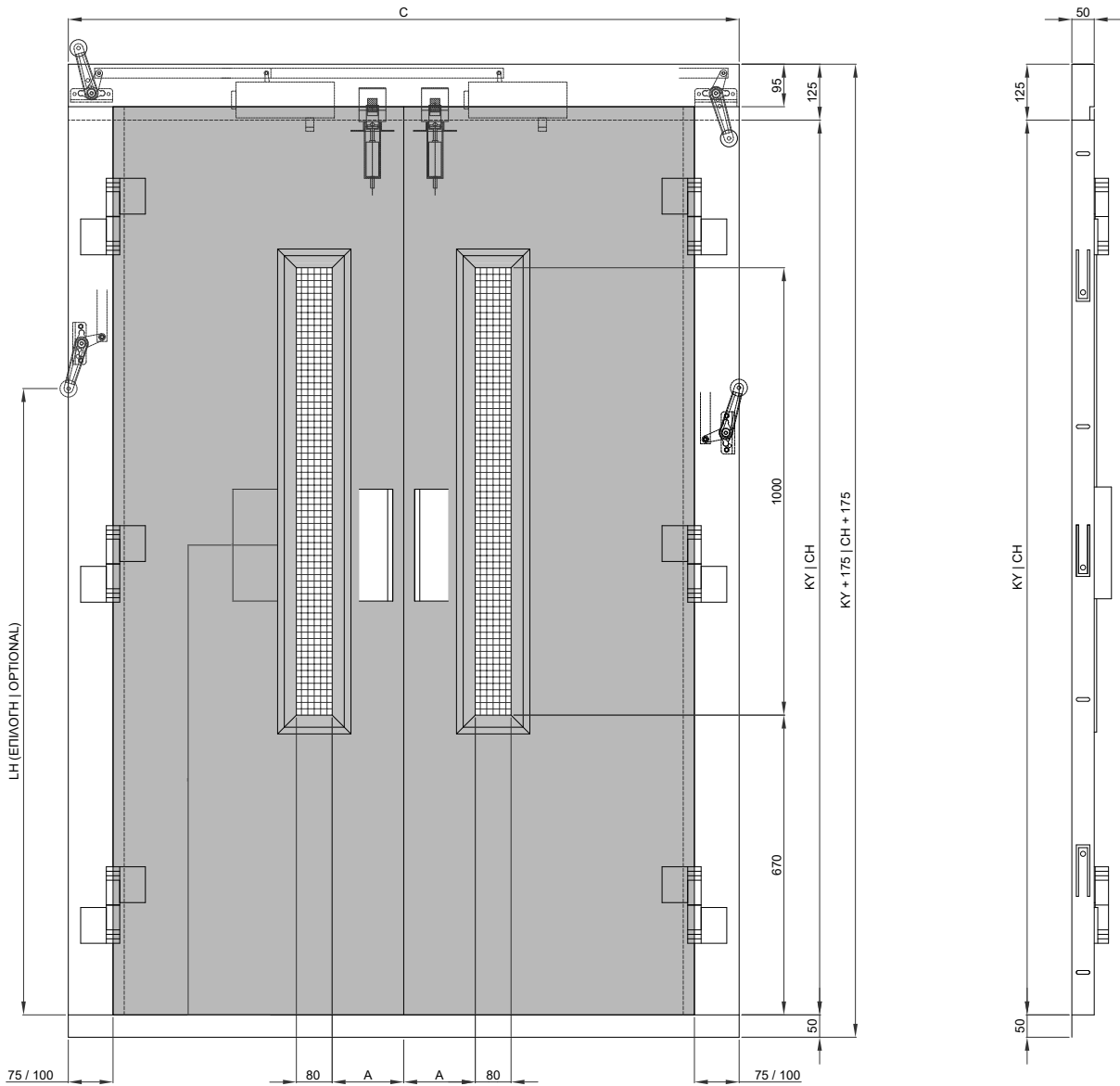
Pre-adjusted and tested to simplify the installation.

Available⁽¹⁾. Not available. Ask the commercial department.

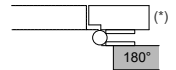
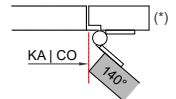
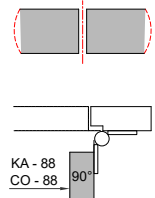
⁽¹⁾Some option combinations may not be possible.

Technical drawing

CLASSIC



Λεπτομέρεια / Detail A

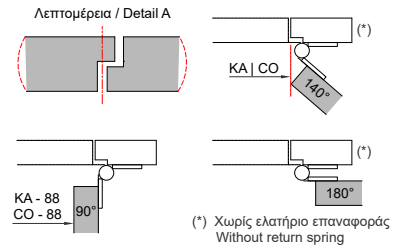
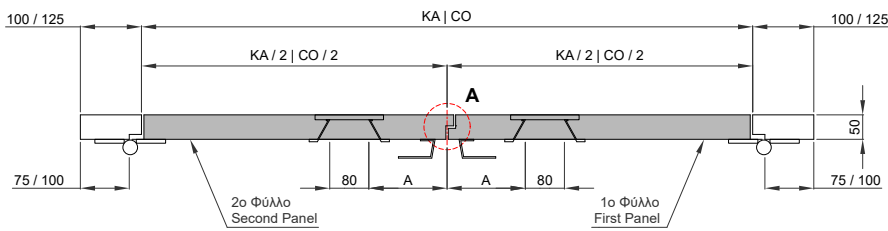
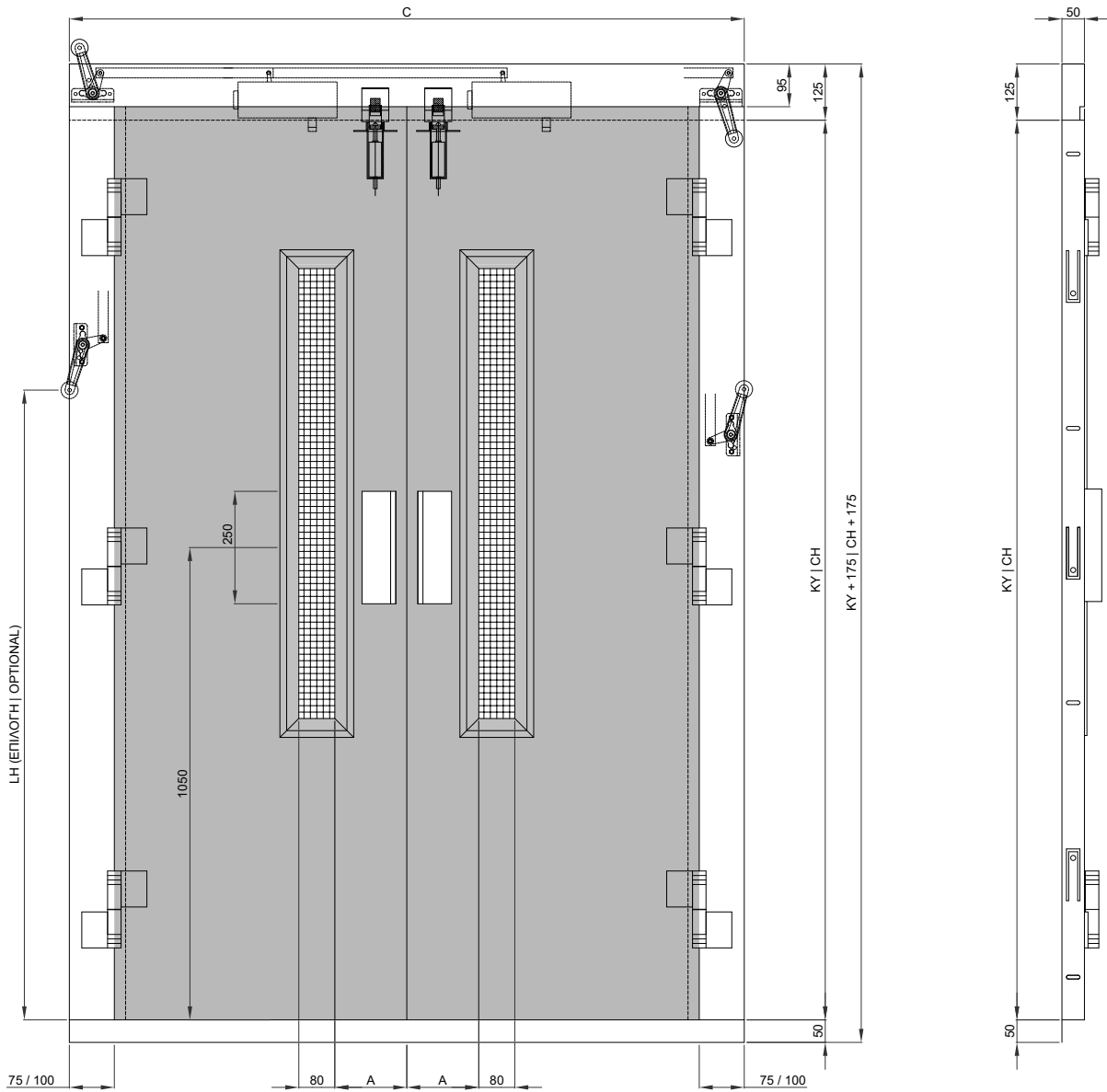


(*) Χωρίς ελατήριο επαναφοράς
Without return spring

CO	950	1000	1100	1200	1300	1400	1500	1600	1700	1800	1900	2000	2100	2200	2300	2400	2500
A	160	160	160	160	160	185	185	210	210	235	235	260	260	260	260	260	260

Technical drawing

CLASSIC FIRE RESISTANT



		E120 & EW60**																
CO	A	950	1000	1100	1200	1300	1400	1500	1600	1700	1800	1900	2000	2100	2200	2300	2400	2500
		160	160	160	160	160	185	185	210	210	235	235	260	260	260	260	260	260

** EN81-1/2 with vision panels option / EN81-20 without vision panels option



KLEFER S.A.

KILKIS Business Park 61100
KILKIS (GREECE)
Tel.: +30 23410 75730 - 2
General Commercial Register (GEMI): 014504535000
National Producers Register Nr.: 2581

Sales contacts

General: commercial@klefer.com

www.klefer.com