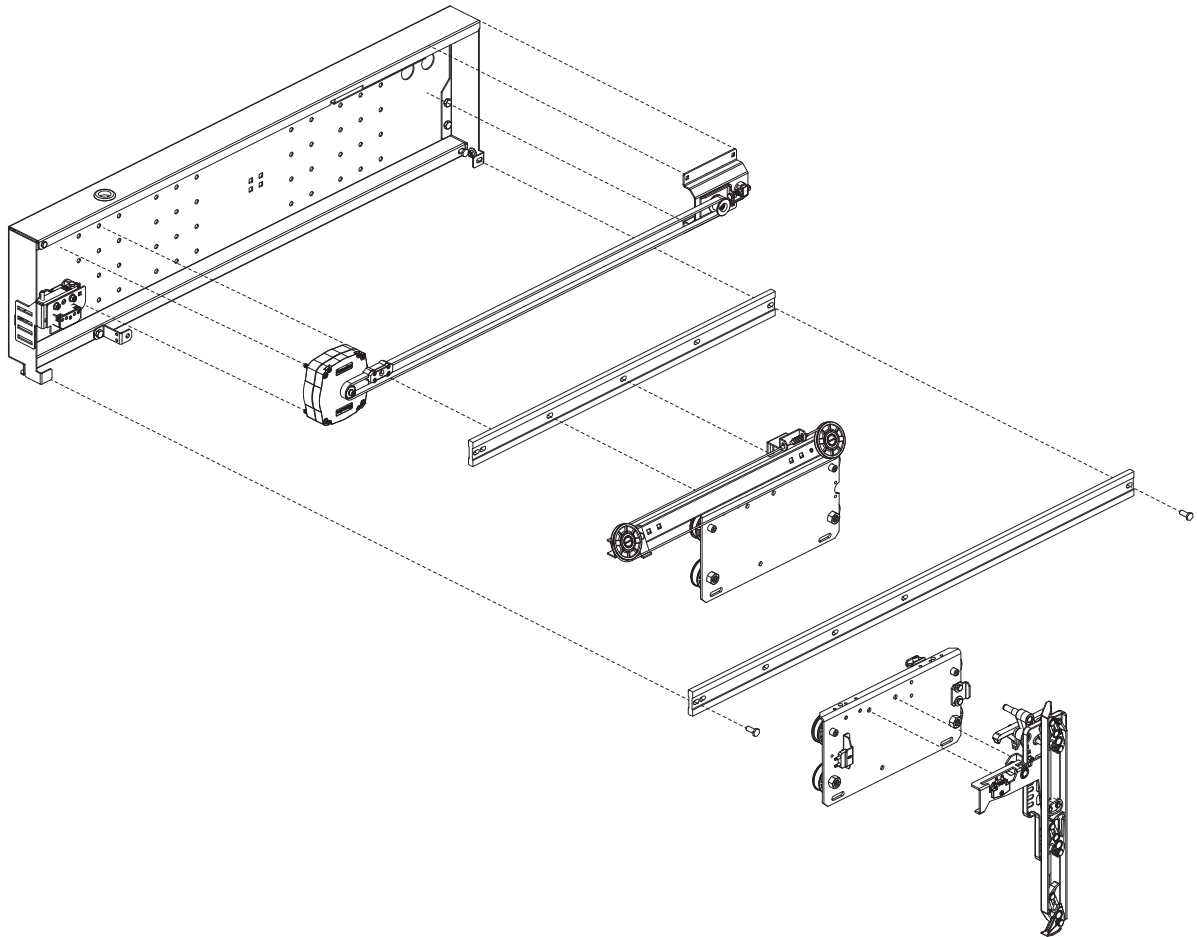


# 50/11 PM SPARE PARTS

Automatic horizontal sliding car door



Multimedia design and production by Klefer.

KLEFER S.A.  
KILKIS Business Park 61100  
KILKIS (GREECE)  
Tel.: +30 23410 75730 - 2  
Email: commercial@klefer.com  
General Commercial Register (GEMI): 014504535000  
National Producers Register Nr.: 2581



- Spare part in stock: Available with a minimal period of delivery.



- Spare parts to be manufactured: Need to be fabricated and therefore requires a longer delivery period.

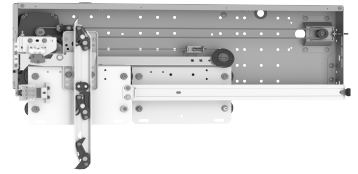
Klefer reserves the right to modify the specification and price of the products in this catalogue without prior notice.

Rate revision according version.  
The rates are valid except for typographical mistakes.  
The price of packaging is not included.  
IVA or VAT not included.

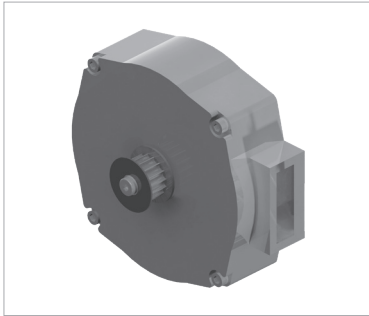
# 1.1

## DOOR OPERATOR

Traction parts



### CMT Motor



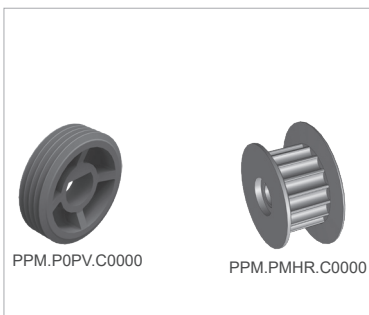
Code	Description
CMT.PME041	With encoder and HTD pulley (From 15/02/2019).
CMT.PME055	IP54 with encoder and HTD pulley. (From 20/02/2019).
CMT.PME056	IP54 with encoder and Poly-V pulley. 6 channels.
CMT.PME071	With encoder and Poly-V pulley.

### VMT Encoder



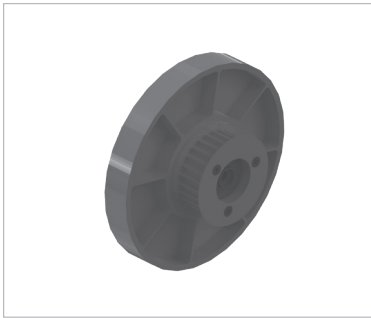
Code	Description
VMT.PMEN.C0000	Encoder.

### PPM Motor pulley



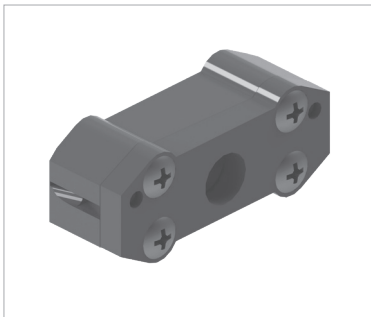
Code	Description
PPM.P0PV.C0000	Poly-V model.
PPM.PMHR.C0000	HTD model.

**PPO**  **Reduction pulley assembly**



Code	Description
PPO.P0PR.C0000	Ø 100 mm.

**CHT**  **Toothed belt base assembly**



Code	Description
CHT.VFRF.C0000	HTD 5M & RPP5 toothed belt base assembly (Reinforced).




**BOC**  **Poly-V toothed belt**



Code	Description
BOC.PV6J.014AP.0483	Poly-V toothed belt.

**BHT**  **RPP5 toothed belt opening door**



Code	Description
BHT.20RP.CC200 	C2.
BHT.20RP.CT200 	T2.
 To complete this code, see annexe 1 (Clear opening table). The price shown is valid for CO 800 mm	

**BHT** **RPP5 toothed belt by meters**

Code

BHT.20RP.C0000

Description

Toothed belt RPP5.



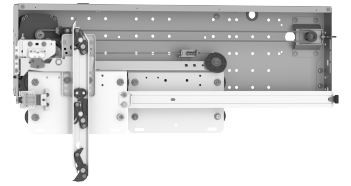
.In Quantity field, show the meters needed preceded by 0 until complete 4 figures

.The price shown is valid for one meter

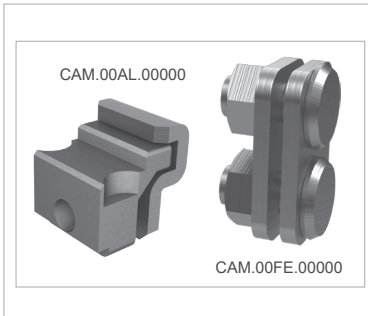
# 1.2

## DOOR OPERATOR

Synchronization

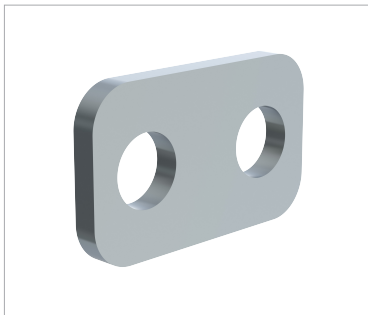


### CAM Cable fastener assembly



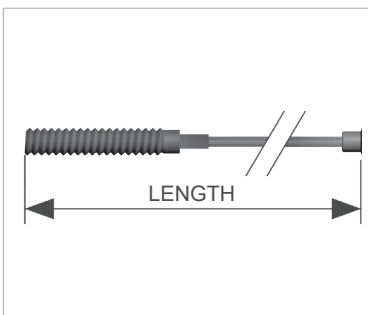
Code	Description
CAM.00AL.00000	Cable fastener assembly.
CAM.00FE.00000	Cable fastener assembly.


### PAM Cable fastening plate




Code	Description
PAM.00CA.0C000	3 mm fastening plate. 54 mm sill.
PAM.00CA.00000	4 mm fastening plate. 54 mm sill.

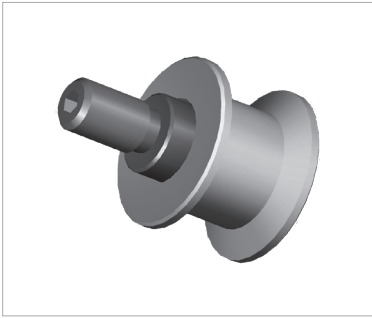
### PCA Synchronization wire



Code	Description
PCA.0000. 	Synchronization wire.

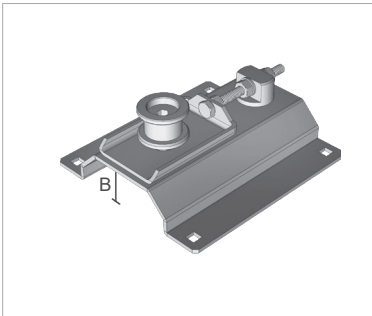
 To complete this code, see annexe 2 (Synchronization wire length by clear opening table).  
The price shown is valid for one metre.

## PPR Idle pulley




Code	Description	€
PPR.VF00.C0000	Idle pulley.	20,39€

## CPR Idle pulley tensor assembly



Code	Description
CPR.VF54.CC200	54 mm sill.
CPR.VF90.C0000	T2 90 mm sill. B: 35 mm.

 For C2 assembly is supplied without support.

## RCA Tensor spring for synchronization wire

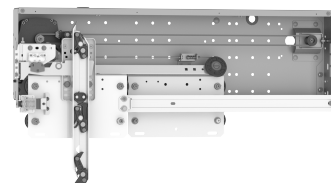


Code	Description
RCA.0000.C0015.00330.925FG.0250	Tensor spring for synchronization wire.

# 1.3

## DOOR OPERATOR

Acting parts



### CSK



#### Clutch assembly



Code	Description
CSK.VF00.CD000	Standard. Right opening and central opening with double locking device.
CSK.VF00.CI000	Standard. Left and central opening.
CSK.D005.CD000	Displaced 50 mm. Right opening.
CSK.D005.CI000	Displaced 50 mm. Left opening.
CSK.D010.CD000	Displaced 100 mm. Right opening.
CSK.D010.CI000	Displaced 100 mm. Left opening.
CSK.D015.CD000	Displaced 150 mm. Right opening.
CSK.D015.CI000	Displaced 150 mm. Left opening.
CSK.ESA1.CD000	Action area 100 mm. Right opening.
CSK.ESA1.CI000	Action area 100 mm. Left opening.

### CDL



#### Contact and lock clutch assembly



Code	Description
CDL.VF00.CC200	C2.
CDL.VF00.CD000	T2. Right opening.
CDL.VF00.CI000	T2. Left opening.
CDL.VF58.CC200	C2. Arm 580 mm.
CDL.VF58.CD000	T2. Arm 580 mm. Right opening.
CDL.VF58.CI000	T2. Arm 580 mm. Left opening.
CDL.VFIP.CC200	C2. IP54.
CDL.VFIP.CD000	T2. IP54. Right opening.
CDL.VFIP.CI000	T2. IP54. Left opening.
CDL.VF58.CD0IP	T2. IP54. Arm 580 mm. Right opening.
CDL.VF58.CI0IP	T2. IP54. Arm 580 mm. Left opening.



In case of CDL IP54 please contact with Commercial sales.

### CSL

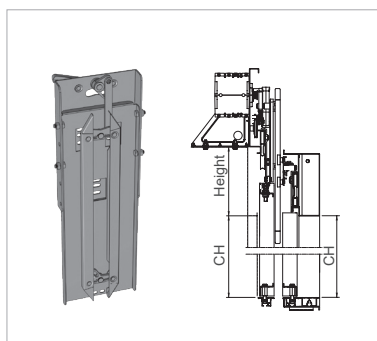


#### Car locking device assembly



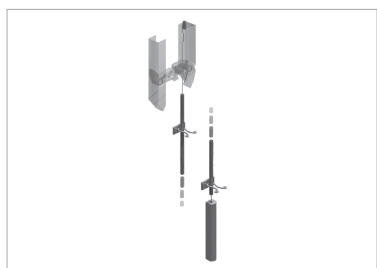
Code	Description
CSL.5000.CC200	C2 54 mm sill.
CSL.50IP.CC200	C2 IP54 54mm sill.
CSL.5000.CD200	T2 90 mm sill. Right opening.
CSL.5000.CI200	T2 90 mm sill. Left opening.


## CSK Q model clutch assembly for special height cars



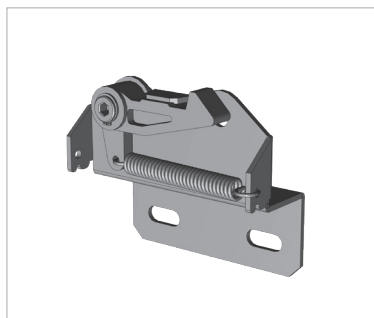
Code	Description
CSK.Q001.CD000	Displaced 100 mm. Height: 320 mm. Right opening.
CSK.Q002.CD000	Displaced 150 mm. Height: 370 mm. Right opening.
CSK.Q003.CD000	Displaced 200 mm. Height: 420 mm. Right opening.
CSK.Q004.CD000	Displaced 250 mm. Height: 470 mm. Right opening.
CSK.Q005.CD000	Displaced 300 mm. Height: 520 mm. Right opening.
CSK.Q006.CD000	Displaced 350 mm. Height: 570 mm. Right opening.
CSK.Q007.CD000	Displaced 400 mm. Height: 620 mm. Right opening.
CSK.Q008.CD000	Displaced 450 mm. Height: 670 mm. Right opening.
CSK.Q009.CD000	Displaced 500 mm. Height: 720 mm. Right opening.
CSK.Q010.CD000	Displaced 550 mm. Height: 770 mm. Right opening.
CSK.Q011.CD000	Displaced 600 mm. Height: 820 mm. Right opening.
CSK.Q012.CD000	Displaced 650 mm. Height: 870 mm. Right opening.
CSK.Q013.CD000	Displaced 700 mm. Height: 920 mm. Right opening.
CSK.Q014.CD000	Displaced 750 mm. Height: 970 mm. Right opening.
CSK.Q015.CD000	Displaced 800 mm. Height: 1.020 mm. Right opening.
CSK.Q016.CD000	Displaced 850 mm. Height: 1.070 mm. Right opening.
CSK.Q001.CI000	Displaced 100 mm. Height: 320 mm. Left opening.
CSK.Q002.CI000	Displaced 150 mm. Height: 370 mm. Left opening.
CSK.Q003.CI000	Displaced 200 mm. Height: 420 mm. Left opening.
CSK.Q004.CI000	Displaced 250 mm. Height: 470 mm. Left opening.
CSK.Q005.CI000	Displaced 300 mm. Height: 520 mm. Left opening.
CSK.Q006.CI000	Displaced 350 mm. Height: 570 mm. Left opening.
CSK.Q007.CI000	Displaced 400 mm. Height: 620 mm. Left opening.
CSK.Q008.CI000	Displaced 450 mm. Height: 670 mm. Left opening.
CSK.Q009.CI000	Displaced 500 mm. Height: 720 mm. Left opening.
CSK.Q010.CI000	Displaced 550 mm. Height: 770 mm. Left opening.
CSK.Q011.CI000	Displaced 600 mm. Height: 820 mm. Left opening.
CSK.Q012.CI000	Displaced 650 mm. Height: 870 mm. Left opening.
CSK.Q013.CI000	Displaced 700 mm. Height: 920 mm. Left opening.
CSK.Q014.CI000	Displaced 750 mm. Height: 970 mm. Left opening.
CSK.Q015.CI000	Displaced 800 mm. Height: 1.020 mm. Left opening.
CSK.Q016.CI000	Displaced 850 mm. Height: 1.070 mm. Left opening.

## KDM Manual unlocking device



Code	Description
KDM.20.00.C.0D. <b>KO</b> <b>PH</b>	(CDL). Right opening.
KDM.20.00.C.0I. <b>KO</b> <b>PH</b>	(CDL). Left & central opening.
 To complete this code, <b>KO</b> refers to Extra Carriage, the code is 000 except Full Glass 50/11 PM, <b>PH</b> refers to Panel Height.	

## CTR Stopping retainer assembly



Code	Description
CTR.VF54.CI000	C2.
CTR.2000.CD200	T2. Right opening.
CTR.2000.CI200	T2. Left opening.

## PTR Stopping retainer trigger



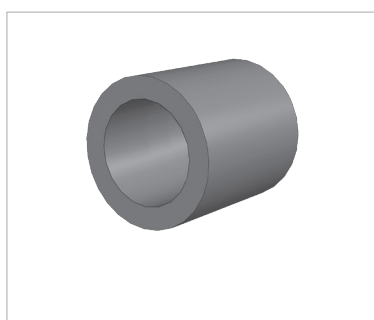
Code	Description
PTR.VF00.C0000	Stopping retainer trigger.

## DSK Pulling trigger



Code	Description
DSK.VFGA.C0000	Pulling trigger.

## DSK Rod rubber



Code	Description
DSK.VFTB.C0000	Rod rubber.

## RSK Clutch assembly spring



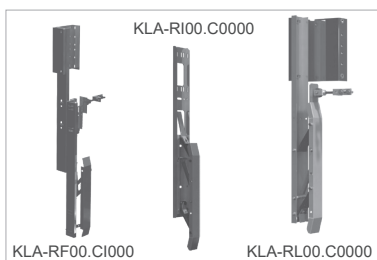
Code	Description	€
RSK.VF00.C0000	Pulling trigger spring.	5,36€

## RSK Connecting rod spring




Code	Description
RSK.00BP.CD200	Right hand clutch.
RSK.00BP.CI000	Left hand clutch.

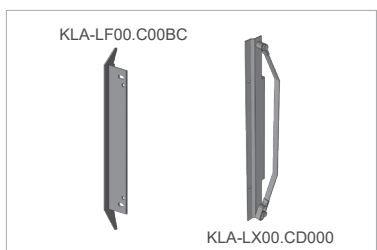
## KLA Drive retractable cam kit



Code	Description
KLA.RF00.CD000 <input checked="" type="checkbox"/>	Frontal. Right hand (For left opening, hinged semiautomatic doors).
KLA.RF00.CI000 <input checked="" type="checkbox"/>	Frontal. Left hand (For right opening, hinged semiautomatic doors).
KLA.RI00.C0000 <input checked="" type="checkbox"/>	Inverted lateral retractable.
KLA.RL00.C0000 <input checked="" type="checkbox"/>	Lateral retractable.
KLA.RIA1.C0000 <input checked="" type="checkbox"/>	Inverted lateral retractable, acting zone 100 mm.

 Code X: Drive height in mm from the centre of the cam to the sill. If standard (1.850 mm), indicate 1850. For other heights increase in 100 by 100 mm.

## KLA Drive fixed cam kit



Code	Description
KLA.LF00.C00BC	Fixed.
KLA.LX00.CD000	Right flexible.
KLA.LX00.CI000	Left flexible.
KLA.LO00.C0000	Fixed type O.
KLA.LFCA.CC000	Fixed. Type C. Central opening.
KLA.LFA1.C00BC	Fixed. Unlocking 100 mm.

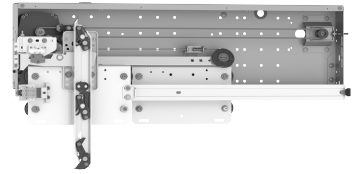


Code	Descripción
KLA.00AE.RC000	Central opening with automatic landing door.
KLA.00AE.RD000	Right side opening with automatic landing door.
KLA.ECSE.R0000	Semiautomatic outside door.

# 1.4

## DOOR OPERATOR

### Carriages

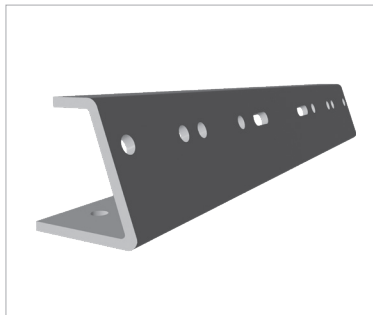




#### PFR Wheel



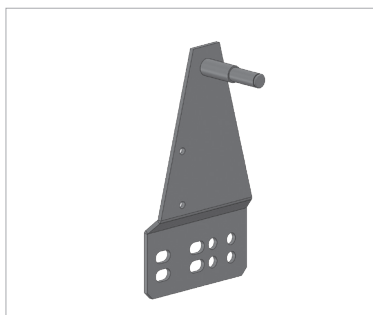
Code	Description
PFR.0500.00000	Concentric. PFR-05. Ø 56 mm.
PFR.0600.00000	Eccentric. PFR-06. Ø 54 mm.
PFR.0700.00000	Synchronization. PFR-07. External Ø 64 mm. Internal Ø 8 mm.

#### PBR Wheel carrier arm



Code	Description
PBR.5000.CT2BC 	T2. Panel 40 mm.
 To complete this code, see annexe 1 (Clear opening table). The price shown is valid for PL 800 mm.	

#### PSA Carriage pulling support

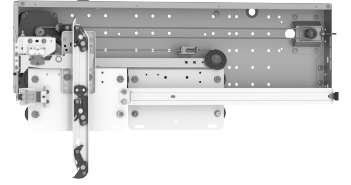


Code	Description
PSA.PM00.CC200	C2.
PSA.PM00.CT200	T2.

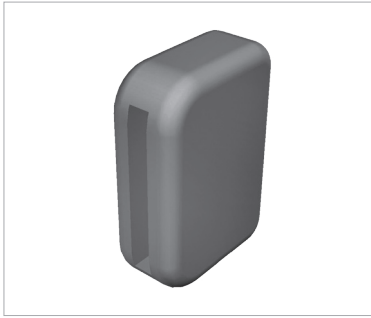
# 1.5

## DOOR OPERATOR

Buffers

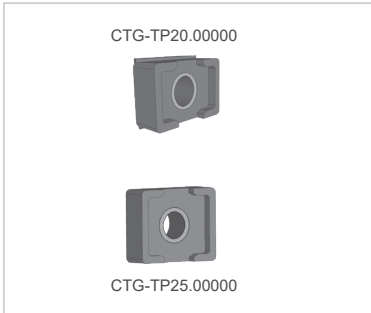


### PTF End stroke stop



Code	Description
PTF.0000.C0000	End stroke stop.

### PTG Rubber stop

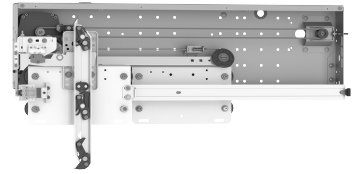


Code	Description
PTG.TP20.00000	20 x 30 mm stop.
PTG.TP25.00000	25 x 30 mm stop.

# 1.6

## DOOR OPERATOR

Others



**UHT**



**Belt regulation tool**



Code

UHT.VF00.C0000

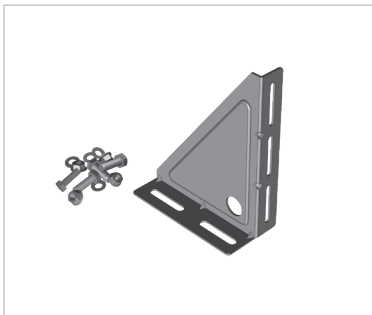
Description

Belt regulation tool.

**AEC**



**Fastening bracket set**



Code

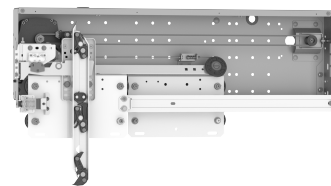
AEC.VF00.C0000

Description

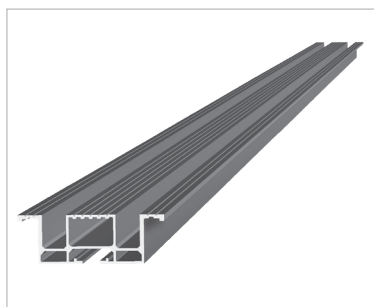
50/11 PM car operators (2 units).

# 2


## ACCESSORIES



### PPS Sill

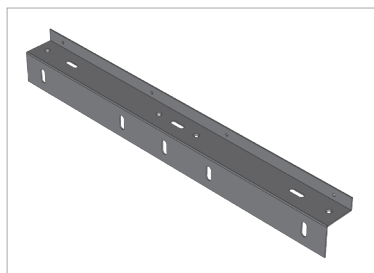


Code	Description
PPS. <input type="text" value="14"/> . <input type="text" value="3"/> . CC2. <input type="text" value="1"/>	C2.
PPS. <input type="text" value="14"/> . <input type="text" value="3"/> . CR2. <input type="text" value="1"/>	T2. Right opening.
PPS. <input type="text" value="14"/> . <input type="text" value="3"/> . CL2. <input type="text" value="1"/>	T2. Left opening.
PPS. <input type="text" value="14"/> . <input type="text" value="3"/> . CT2. <input type="text" value="1"/>	T2. CO: 700, 800, 900. EN 81-20/50.


 For sill without dust holes in telescopic doors the code is completed with T. (For either .(Left or Right opening, sill is the same

To complete this code, see annex 1 (Clear opening table), annex 3 (Sill options) and annex 14 ( Sill materials, finishes and dimension table). The price shown is valid for PL .800 mm

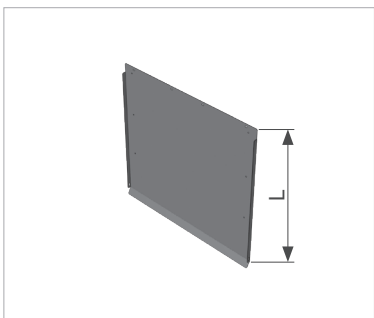
### PAC Sill support




Code	Description
PAC.CO54.CC2IM <input type="text" value="1"/>	For 54 mm sill, with evacuation slots.
PAC.HM54.CC2IM <input type="text" value="1"/>	For 54 mm solid iron sill, with evacuation slots.
PAC.CO90.CT2IM <input type="text" value="1"/>	For 90 mm sill, with evacuation slots.
PAC.HM90.CT2IM <input type="text" value="1"/>	For 90 mm solid iron sill, with evacuation slots.

 To complete this code, see annexe 1 (Clear opening table). The price shown is valid .for PL 800 mm

### PFA Toe guard

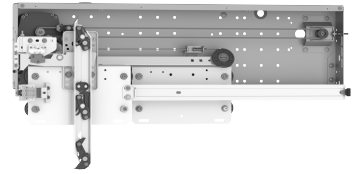


Code	Description
PFA.GM00.C00IM <input type="text" value="1"/>	L: 750 mm. Epoxy.
PFA.GM00.C00XN <input type="text" value="1"/>	L: 750 mm. Stainless steel.

 To complete this code, see annexe 1 (Clear opening table). The price shown is valid for PL 800 mm.

# 3

## PANELS



### ASH Carriage supplement



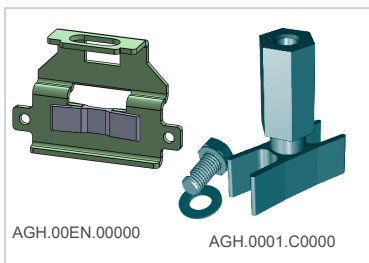
Code	Description
ASH.GM10.C0000	100 mm with fasteners (2 units).
ASH.GM15.C0000	150 mm with fasteners (2 units).

### ASH Panel regulator support

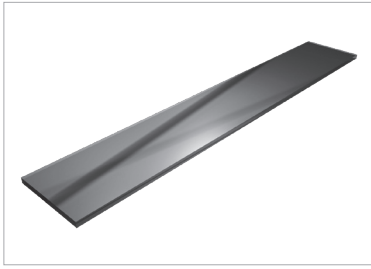


Code	Description
ASH.0001.C0000	60 mm. (2 units).
ASH.0002.C0000	100 mm. (2 units).
ASH.0003.C0000	40 mm. (2 units).

### AGH Panel guide shoe assembly



Code	Description
AGH.0001.C0000	16 mm groove (2 units).
AGH.0006.C0000	Full glass panel dating from before 2008 (2 units).
AGH.00EN.00000	8 mm groove. EN 81.20/50 (2 units).
AGH.DAA000000	8 mm groove. Type ADVANCED AGH-DA (Release II) EN 81.20/50 (2 units).

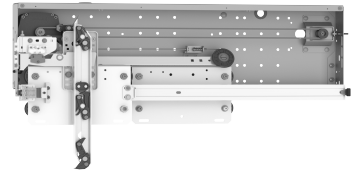


Code		Description	
GFH.GMB0.00000	Dimension X <sub>1</sub>	Dimension Y <sub>1</sub>	Laminated glass. Beveled big vision 5+5.
GFH.GME2.00000	Dimension X <sub>2</sub>	Dimension Y <sub>1</sub>	Laminated glass. Flush big vision 6 + 6.

! Code Dimension X<sub>1</sub>: PL / number of panels - 40 mm. Code Dimension Y<sub>1</sub>: HL - 200 mm.  
 Code Dimension X<sub>2</sub>: PL / number of panels - 47 mm. Code Dimension Y<sub>1</sub>: HL - 200 mm.  
**Note: In case of obtaining a value of three figures, precede by 0 to complete the code.**  
 The price shown is valid for glass measurements T2, PL 800 mm and HL 2.000 mm, with a ratio of X and Y = 1.

# 4

## ELECTRONIC COMPONENTS



### WCE Electrical wiring



Code	Description
WCE.EN00.S52A2.1500	Encoder. Motor PM. L: 1500mm.
WCE.EN00.S52A4.0400	Encoder. Motor PM. L: 400 mm.
WCE.MT00.S42HK.0400	Motor PM. L: 400 mm.
WCE.MT00.S42HK.1500	Motor PM. L: 1500 mm.
WCE.MTAN.A42HK.0470	Motor PM. Electronic module VF7+. L: 400 mm.
WCE.MTAN.A42HK.1300	Motor PM. Electronic module VF7+ . L: 1300 mm.

### CFT Optical safety devices



Code	Description
CFT.FC00.C0000	Photocell. 3.000 mm wire length.
CFT.FCDM.C0000	Photocell. 5.000 mm wire length.

### KCE Electrical contact kit



Code	Description
KCE.A4A5.00000	Astra AS 011.
KCE.IP54.00000	IP54 contact.

VCI 

## VF5+ Electronic module



Code	Description
VCI.V05P.0010.0FLGE	10 Ohms. EN 81-1/2. Left opening. Greek - English.
VCI.V05P.0010.0FRGE	10 Ohms. EN 81-1/2. Right opening. Greek - English.
VCI.V05P.0010.0FLTE	10 Ohms. EN 81-1/2. Left opening. Turkish - English.
VCI.V05P.0010.0FRTE	10 Ohms. EN 81-1/2. Right opening. Turkish - English.
VCI.V05P.0E10.0FLGE	10 Ohms. EN 81-20/50. Left opening. Greek - English.
VCI.V05P.0E10.0FRGE	10 Ohms. EN 81-20/50. Right opening. Greek - English.
VCI.V05P.0E10.0FLTE	10 Ohms. EN 81-20/50. Left opening. Turkish - English.
VCI.V05P.0E10.0FRTE	10 Ohms. EN 81-20/50. Right opening. Turkish - English.

VCI 

## VF7+ Relay Electronic module



Code	Description
VCI.V07P.0E10.0FLGE	10 Ohms. EN 81.20/50. Left opening. Greek - English.
VCI.V07P.0E10.0FRGE	10 Ohms. EN 81.20/50. Right opening. Greek - English.
VCI.V07P.0E10.0FLTE	10 Ohms. EN 81.20/50. Left opening. Turkish - English.
VCI.V07P.0E10.0FRTE	10 Ohms. EN 81.20/50. Right opening. Turkish - English.

VCI 

## VF7+ CAN Electronic module

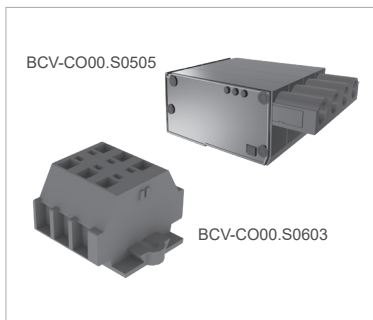


Code	Description
VCI.V07P.0E1P.0FLEE	Type CAN . EN 81.20/50. Left opening. Spanish - English.
VCI.V07P.0E1P.0FREE	Type CAN . EN 81.20/50. Right opening. Spanish - English.

VCI  Emergency power supply

Code	Description
VCI.AESB.C00GE	Without battery. Greek - English.
VCI.AESB.C00TE	Without battery. Turkish - English.

## BCV Connector



Code	Description
BCV.CO00.S0502	5 mm and 2 paths.
BCV.CO00.S0504	5 mm and 4 paths.
BCV.CO00.S0505	5 mm and 5 paths.
BCV.CO00.S0512	5 mm and 12 paths.
BCV.CO00.S103H	10 mm and 3 paths.

## COE Battery



Code	Description
COE.BAT0.2A000	12 V. 2 A.

## COE Fuse



Code	Description
COE.FU4A.00000	4 A ceramic fuse.

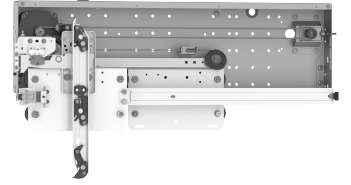
## VCP Programming console



Code	Description
VCP.VFCP.C00EN	Programming console. English language.

# 5

## ANNEXES



### 1

CLEAR OPENING TABLE

PL	CODE	RATIO
600	<b>0600</b>	1,00
650	<b>0650</b>	1,00
700	<b>0700</b>	1,00
750	<b>0750</b>	1,00
800	<b>0800</b>	1,00
850	<b>0850</b>	1,06
900	<b>0900</b>	1,13
915	<b>0915</b>	1,14
950	<b>0950</b>	1,19
1.000	<b>1000</b>	1,25
1.050	<b>1050</b>	1,31
1.100	<b>1100</b>	1,38
1.150	<b>1150</b>	1,44
1.200	<b>1200</b>	1,50
1.250	<b>1250</b>	1,56
1.300	<b>1300</b>	1,63
1.350	<b>1350</b>	1,69
1.400	<b>1400</b>	1,75
1.450	<b>1450</b>	1,81
1.500	<b>1500</b>	1,88
1.550	<b>1550</b>	1,94
1.600	<b>1600</b>	2,00
1.650	<b>1650</b>	2,06
1.700	<b>1700</b>	2,13
1.750	<b>1750</b>	2,19

PL	CODE	RATIO
1.800	<b>1800</b>	2,25
1.850	<b>1850</b>	2,31
1.900	<b>1900</b>	2,38
1.950	<b>1950</b>	2,44
2.000	<b>2000</b>	2,50
2.050	<b>2050</b>	2,56
2.100	<b>2100</b>	2,63
2.150	<b>2150</b>	2,69
2.200	<b>2200</b>	2,75
2.250	<b>2250</b>	2,81
2.300	<b>2300</b>	2,88
2.350	<b>2350</b>	2,94
2.400	<b>2400</b>	3,00
2.450	<b>2450</b>	3,06
2.500	<b>2500</b>	3,13
2.550	<b>2550</b>	3,19
2.600	<b>2600</b>	3,25
2.650	<b>2650</b>	3,31
2.700	<b>2700</b>	3,38
2.750	<b>2750</b>	3,44
2.800	<b>2800</b>	3,50
2.850	<b>2850</b>	3,56
2.900	<b>2900</b>	3,63
2.950	<b>2950</b>	3,69
3.000	<b>3000</b>	3,75

To determine the final price it is necessary to multiply the base price by the ratio in the table.

## 2

SYNCHRONIZATION WIRE LENGTH BY CLEAR OPENING TABLE

PL	CODE / LENGTH							
	C2	C4 <sup>(1)</sup>	C4 <sup>(2)</sup>	C6	C8	T2	T3	T4
600 SE*	02380	-	-	-	-	01080	-	-
600 AE*	02380	-	-	-	-	01080	-	-
650	02480	-	-	-	-	01180	-	-
700	02580	-	-	-	-	01180	-	-
750	02680	-	-	-	-	01280	-	-
800	02780	-	-	-	-	01280	-	-
850	02880	-	-	-	-	01380	-	-
900	02980	-	-	-	-	01380	-	-
950	03080	-	-	-	-	01480	-	-
1.000	03180	-	-	-	-	01480	-	-
1.100	03380	-	-	-	-	01580	-	-
1.200	03580	-	-	-	-	01680	-	-
1.300	03780	-	-	-	-	01780	-	-
1.400	03980	-	-	-	-	01880	-	-
1.500	04180	-	-	-	-	-	-	-
1.600	04380	-	-	-	-	-	-	-
1.700	-	-	-	-	-	-	-	-
1.800	-	-	-	-	-	-	-	-
1.900	-	-	-	-	-	-	-	-
2.000	-	-	-	-	-	-	-	-
2.100	-	-	-	-	-	-	-	-
2.200	-	-	-	-	-	-	-	-
2.300	-	-	-	-	-	-	-	-
2.400	-	-	-	-	-	-	-	-
2.500	-	-	-	-	-	-	-	-
2.600	-	-	-	-	-	-	-	-
2.700	-	-	-	-	-	-	-	-
2.800	-	-	-	-	-	-	-	-
2.900	-	-	-	-	-	-	-	-
3.000	-	-	-	-	-	-	-	-

• To determine the final price it is necessary to multiply the length x 0,0097.

(1) The dimension is for the synchronization wire between opposite sides of hanger plates.

(2) The dimension is for the synchronization wire between fast and slow hanger plates.

SE: Semiautomatic landing door.

AE: Automatic landing door.

## 3

SILL OPTIONS

SILL TYPE	CODE	Increase in the final price (€)
With dust holes	0A	6,30 €
Without dust holes	00	-
Heated with dust holes	HA	241,37 €
Heated without dust holes	H0	241,37 €
Cut for semiautomatic outside with dust holes	RA	75 €
Cut for semiautomatic outside without dust holes	RO	75 €
Cut for cabin frame with dust holes*	CA	75 €
Cut for cabin frame without dust holes*	CO	75 €

\* Only for Telescopic doors.

## 14

SILL MATERIALS, FINISHES AND DIMENSION TABLE

MATERIAL	AISI	OPENING	CHANNEL	CODE	DESCRIPTION	HEATED OPTION	RATIO
Aluminium	-	C2	8,2 mm	AL054008	54 mm. Panels 50 mm.	Available	1,00
		T2		AL090008	90 mm. Panels 40 + 40 mm.		1,00
Reinforced aluminium	-	C2	8,2 mm	AR054008	54 mm. Panels 50 mm.		1,50
		T2		AR090008	90 mm. Panels 40 + 40 mm.		1,50
Solid iron	-	C2	14 mm	HM054015	54 mm. Panels 50 mm.	Not available	6,80
		T2	15 mm	HM090015	90 mm. Panels 40 + 40 mm.		6,80
Solid stainless steel	-	C2	14 mm	XM054015	54 mm. Panels 50 mm.		9,75
		T2	15 mm	XM090015	90 mm. Panels 40 + 40 mm.		9,75
Iron metal sheet	-	C2	15 mm	HC054015	54 mm. Panels 50 mm.	Available	4,30
			14,8 mm	HC090015	90 mm. Panels 40 + 40 mm.		4,30
		T2	15 mm	HC070015	70 mm. Panels 30 + 30 mm.		4,30
Stainless steel metal sheet	304		C2	XC054015	54 mm. Panels 50 mm.		7,07
		T2	14,8 mm	XC090015	90 mm. Panels 40 + 40 mm.		7,07

**NOTE:** In case of EN 81.20/50 Release II complete at the end of the code R2. (From October 2020)

To determine the final price it is necessary to multiply the base price by the ratio in the table.









### **Sales contacts**

General: [commercial@klefer.com](mailto:commercial@klefer.com)

[www.klefer.com](http://www.klefer.com)