



KLEFER

# Vision Doors

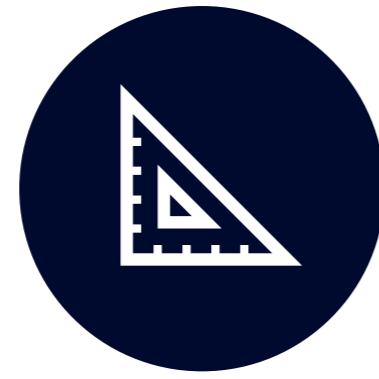
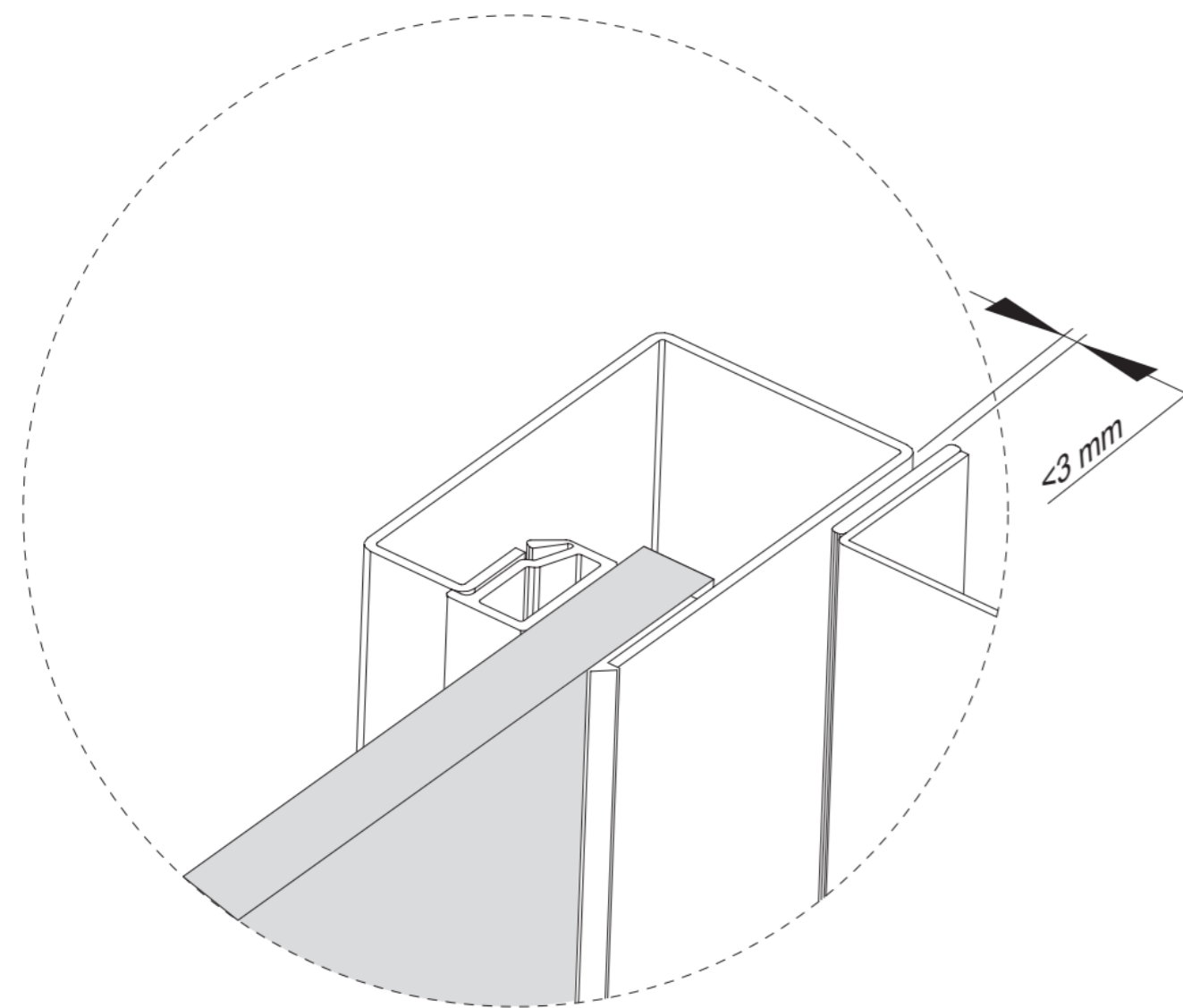
Vision Doors offers limitless possibilities. KLEFER customizable options allow you to select the perfect size, material and finishing, to create a door that truly reflects your unique style.

Contact us today to discuss your specific requirements.

K L E F E R

50/11 VF car doors

Big Vision  
Bevel type 81.1/2



**C2**

Clear Opening: 600mm – 1400mm  
Clear Height: 2000 - 2600mm

**C4**

Clear Opening: 700mm – 2400mm  
Clear Height: 2000 - 2600mm

**C6**

Clear Opening: 1400mm – 3000mm  
Clear Height: 2000 - 2600mm

**C8**

Clear Opening: 1400mm – 3000mm  
Clear Height: 2000 - 2600mm

**T1**

Clear Opening: 600mm – 1200mm  
Clear Height: 2000 - 2600mm

**T2**

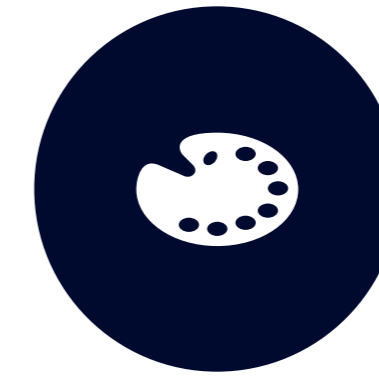
Clear Opening: 600mm – 1400mm  
Clear Height: 2000 - 2600mm

**T3**

Clear Opening: 600mm – 1800mm  
Clear Height: 2000 - 2600mm

**T4**

Clear Opening: 700mm – 2000mm  
Clear Height: 2000 - 2600mm



**FINISHING**

Steel epoxy (Ral) painting  
Stainless Steel

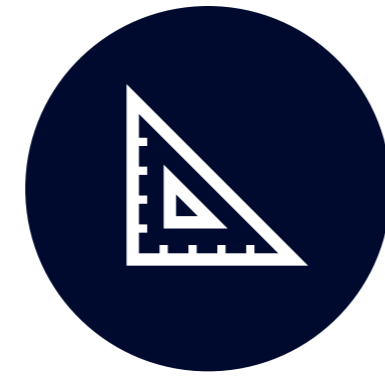
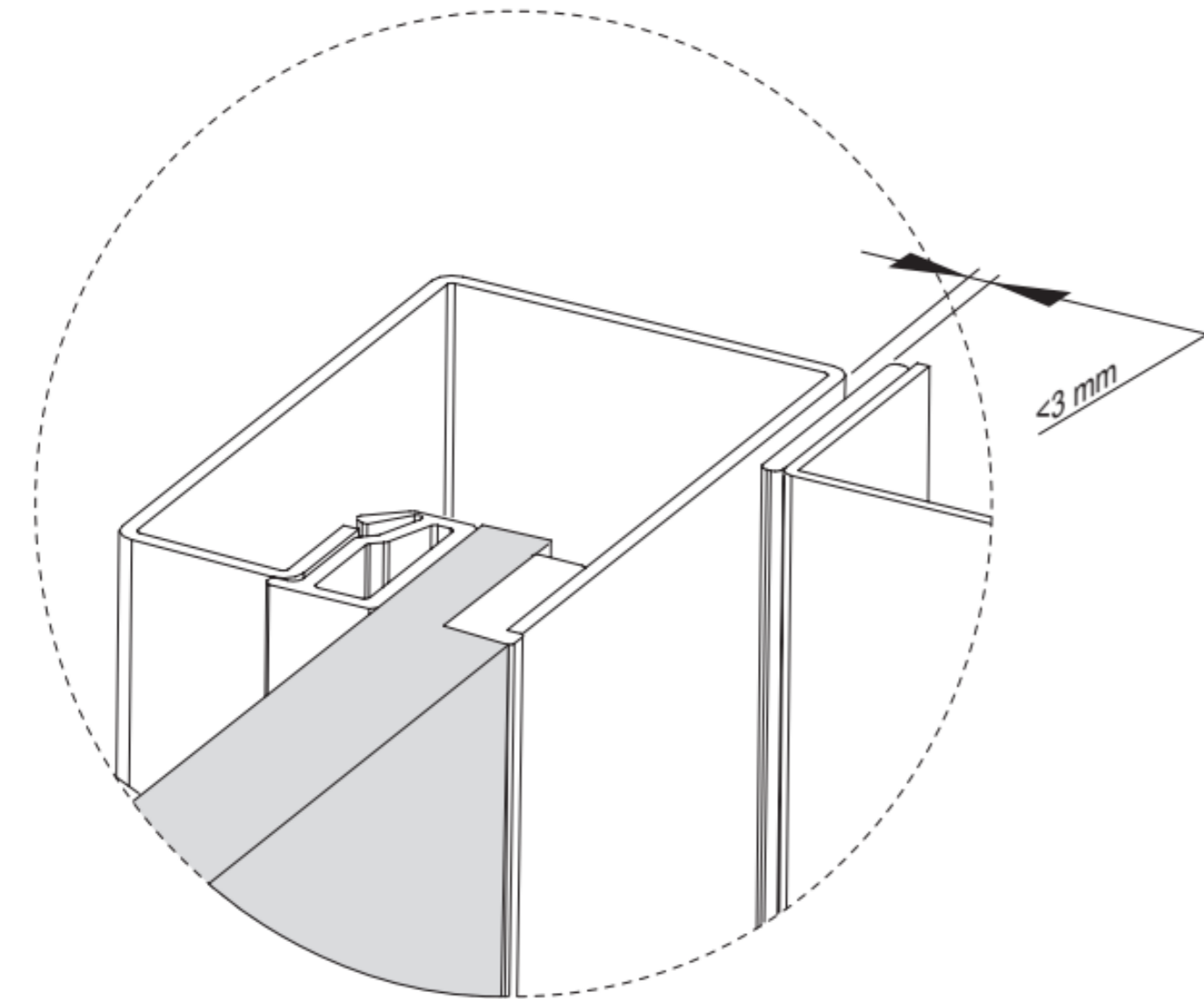


Skin plate

# KLEFER

50/11 VF car doors

Big Vision  
Flush type 81.20/50



## C2

Clear Opening: 600mm – 1400mm  
Clear Height: 2000 - 2600mm

## C4

Clear Opening: 700mm – 2400mm  
Clear Height: 2000 - 2600mm

## C6

Clear Opening: 1400mm – 3000mm  
Clear Height: 2000 - 2600mm

## C8

Clear Opening: 1400mm – 3000mm  
Clear Height: 2000 - 2600mm

## T1

Clear Opening: 600mm – 1200mm  
Clear Height: 2000 - 2600mm

## T2

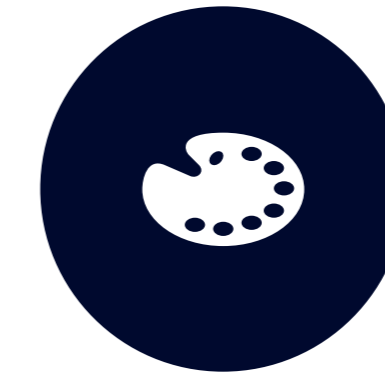
Clear Opening: 600mm – 1400mm  
Clear Height: 2000 - 2600mm

## T3

Clear Opening: 600mm – 1800mm  
Clear Height: 2000 - 2600mm

## T4

Clear Opening: 700mm – 2000mm  
Clear Height: 2000 - 2600mm



## FINISHING

Steel epoxy (Ral) painting  
Stainless Steel



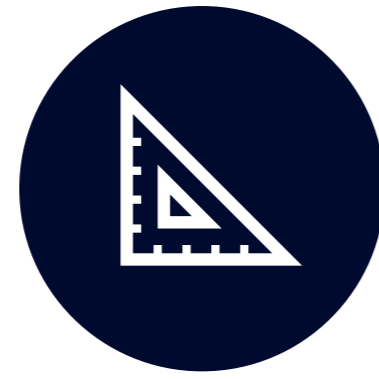
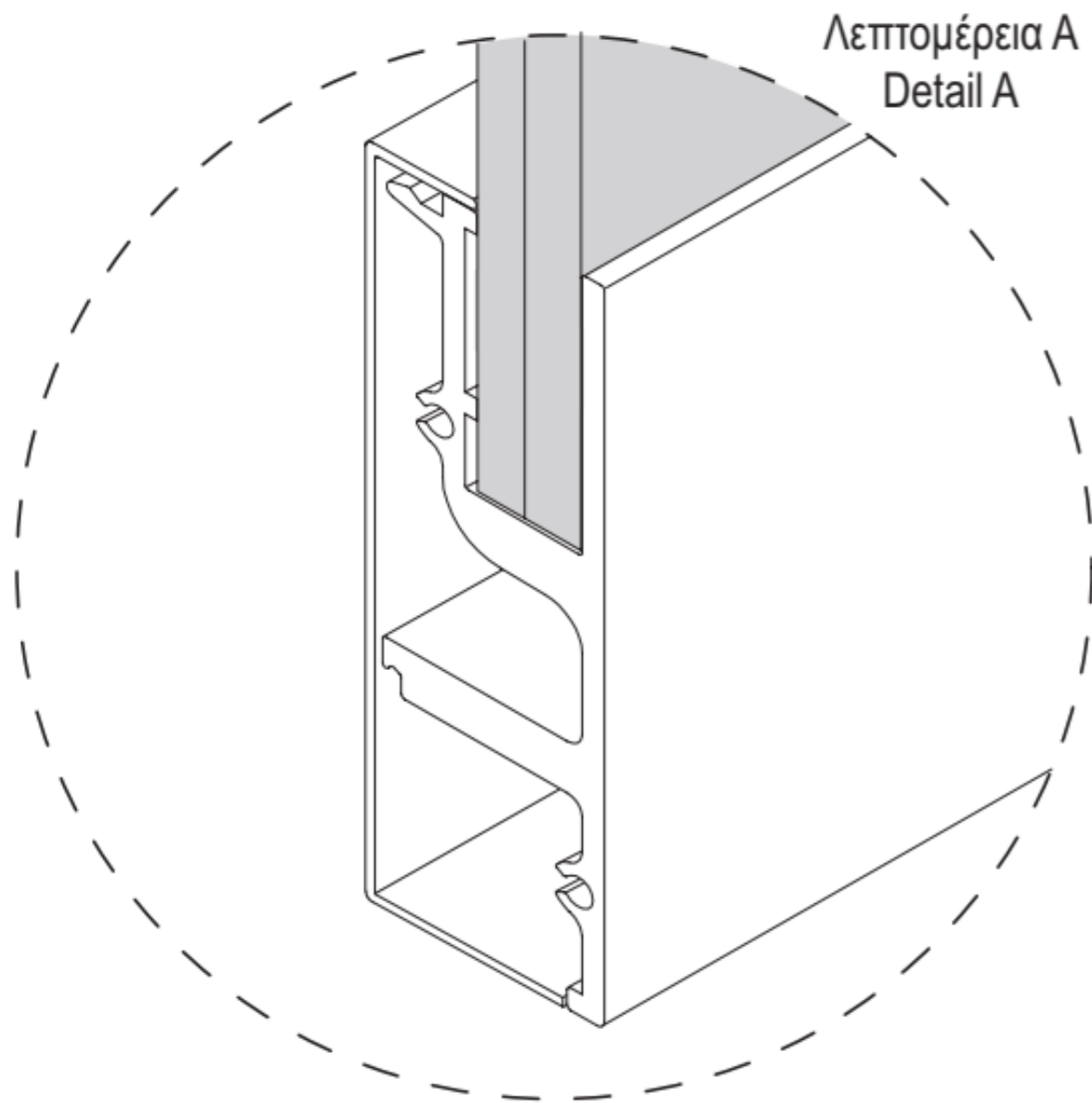
Skin plate

K L E F E R

50/11 VF car doors

Full Glass

81.1 & 81.20/50



**C2**

Clear Opening: 600mm – 1200mm  
Clear Height: 2000 - 2600mm

**C4**

Clear Opening: 700mm – 2400mm  
Clear Height: 2000 - 2600mm

**C6**

Clear Opening: 1400mm – 3000mm  
Clear Height: 2000 - 2600mm

**C8**

Clear Opening: 1400mm – 3000mm  
Clear Height: 2000 - 2600mm

**T1**

Clear Opening: 600mm – 1200mm  
Clear Height: 2000 - 2600mm

**T2**

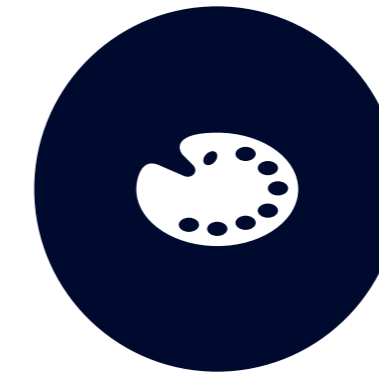
Clear Opening: 600mm – 1200mm  
Clear Height: 2000 - 2600mm

**T3**

Clear Opening: 600mm – 1800mm  
Clear Height: 2000 - 2600mm

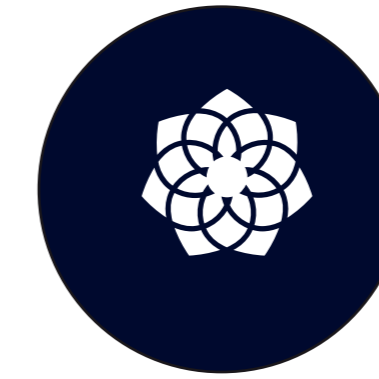
**T4**

Clear Opening: 700mm – 2000mm  
Clear Height: 2000 - 2600mm



**FINISHING**

Steel epoxy (Ral) painting  
Stainless Steel



**Skin plate**

K L E F E R

# Decoration Proposals



Ral 7016  
Anthracite Grey

Default: Structure Gloss  
Available in Smooth & Texture Matt.



Ral 9010  
Pure White

Default: Structure Gloss  
Available in Smooth & Texture Matt.



Stainless Steel  
Satin

Default: Aisi 304  
Available in Aisi 441 & 316L.



Stainless Steel  
Black Satin

Default: Aisi 304  
Available in Aisi 316L.



Stainless Steel  
Gold Satin

Default: Aisi 304  
Available in Aisi 316L.

- It is important to note that color representation can vary. Therefore, it is always advisable to refer to an official RAL color chart or obtain physical samples to accurately assess the color in question.  
- Materials may change without any prior notice



# GET IN TOUCH

KLEFER SA  
Business Park,

Kilkis,  
61 100, Greece

PHONE

+30 2341075730

EMAIL

[commercial@klefer.com](mailto:commercial@klefer.com)

WEBSITE

[www.klefer.com](http://www.klefer.com)

