

K L E F E R

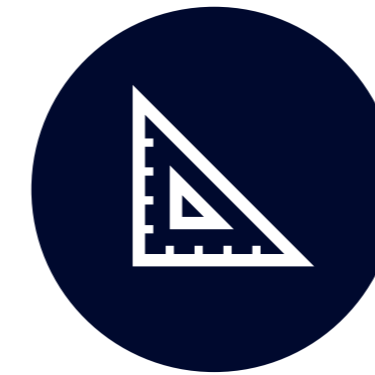
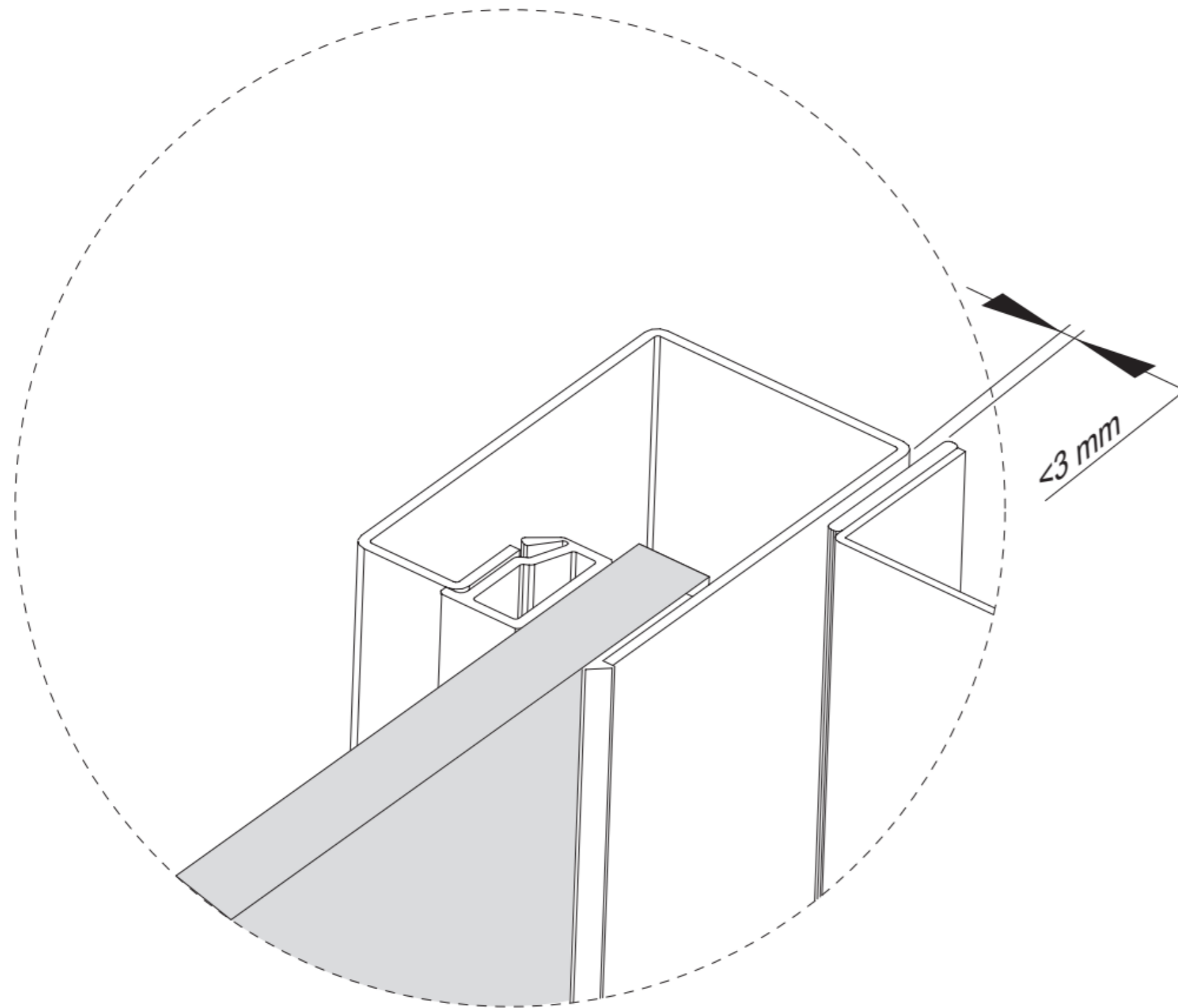
# Vision Doors

Vision Doors offers limitless possibilities. KLEFER customizable options allow you to select the perfect size, material and finishing, to create a door that truly reflects your unique style.

Contact us today to discuss your specific requirements.

K L E F E R

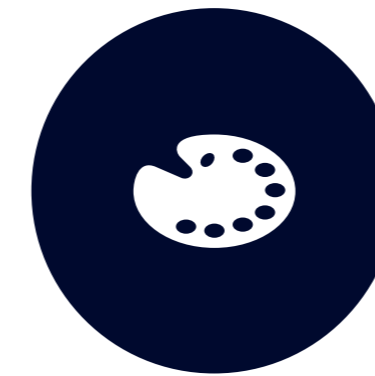
50/11 PM cabin doors



**C2 & T2**

Clear Opening: 600mm – 1400mm

Clear Height: 2000 - 2600mm



**FINISHING**

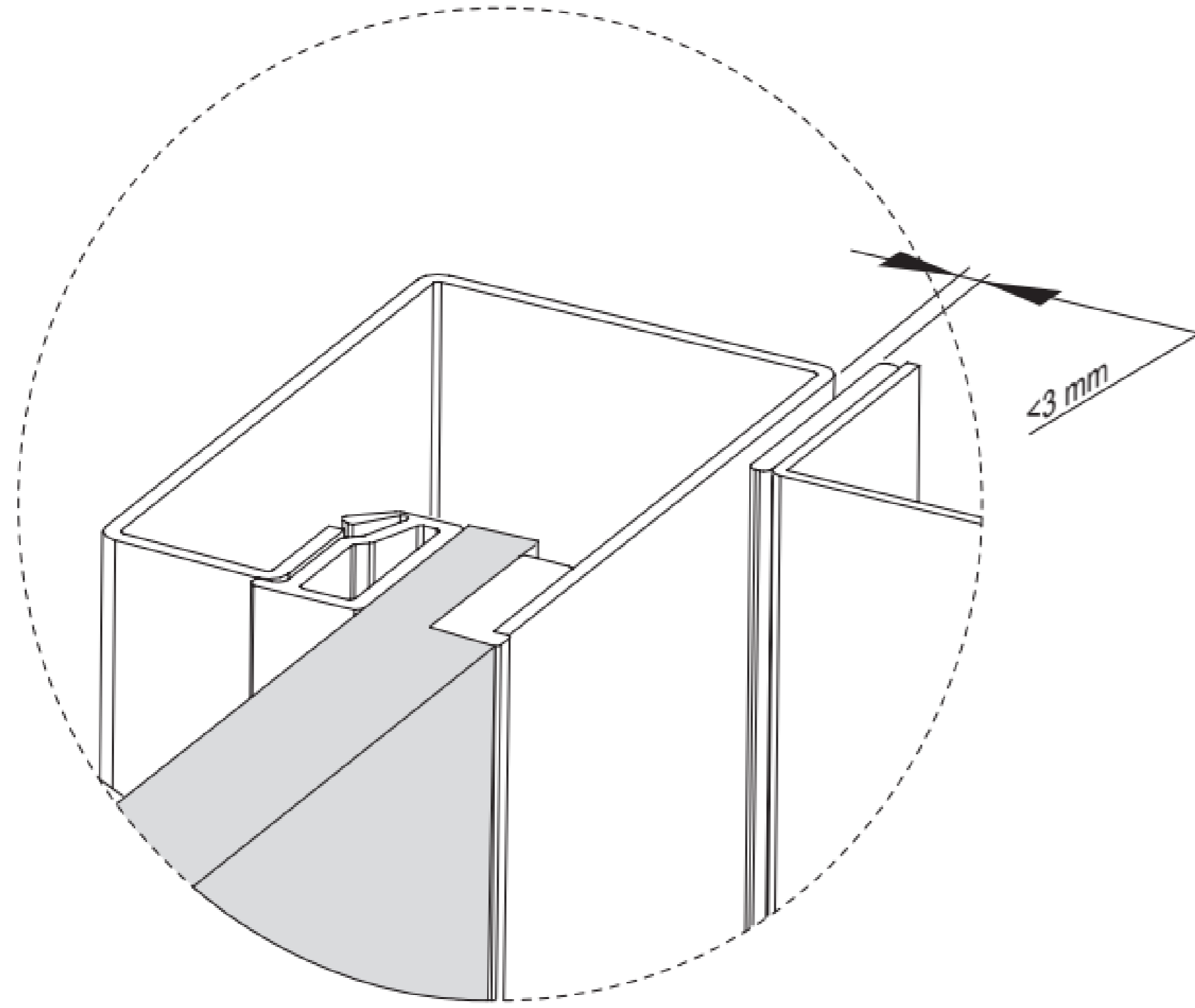
Steel epoxy (Ral) painting

Stainless Steel

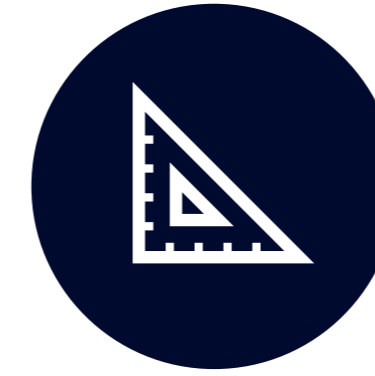
Big Vision  
Bevel type 81.1/2

K L E F E R

50/11 PM cabin doors



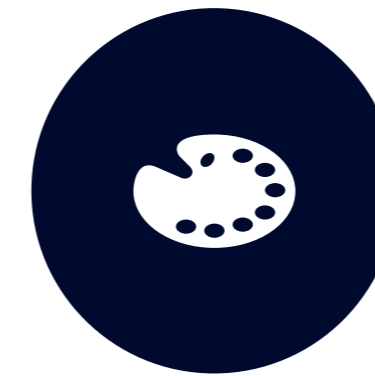
Big Vision  
Flush type 81.20/50



**C2 & T2**

Clear Opening: 600mm – 1400mm

Clear Height: 2000 - 2600mm



**FINISHING**

Steel epoxy (Ral) painting

Stainless Steel

K L E F E R

# Decoration Proposals



Ral 9004  
Signal Black

Default: Structure Gloss  
Available in Smooth & Texture Matt.



Ral 9006  
White Aluminum

Default: Structure Gloss  
Available in Smooth Gloss.



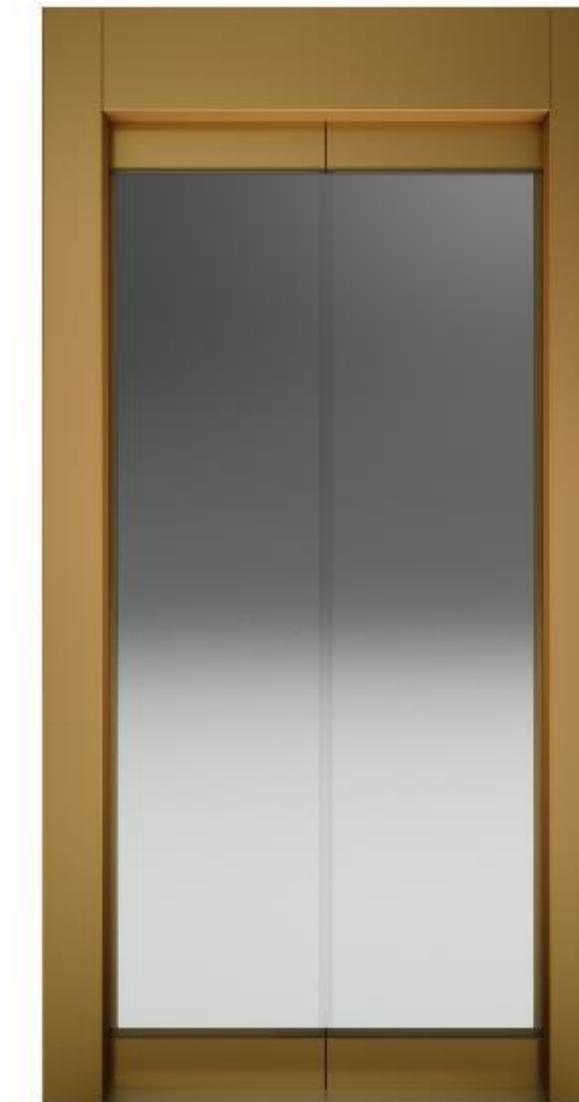
Ral 9010  
Traffic White

Default: Structure Gloss  
Available in Smooth & Texture Matt.



Y2206F  
Bronze 1

Default: Structure Matt  
Available in Smooth Matt.



Y2205I  
Gold Splendour

Default: Structure Matt  
Available in Smooth Matt.

# GET IN TOUCH

KLEFER SA  
Business Park,

Kilkis,  
61 100, Greece

PHONE

+30 2341075730

EMAIL

[commercial@klefer.com](mailto:commercial@klefer.com)

WEBSITE

[www.klefer.com](http://www.klefer.com)

