

K L E F E R

Vision Doors

Vision Doors offers limitless possibilities. Our customizable options allow you to select the perfect size, material and finishing, to create a door that truly reflects your unique style.

Contact us to discuss your specific requirements

K L E F E R

50/11 PM Slim cabin doors



C4 & T2 & T3

Clear Opening: 600mm – 1100mm

Clear Height: 2000 - 2100mm



FINISHING

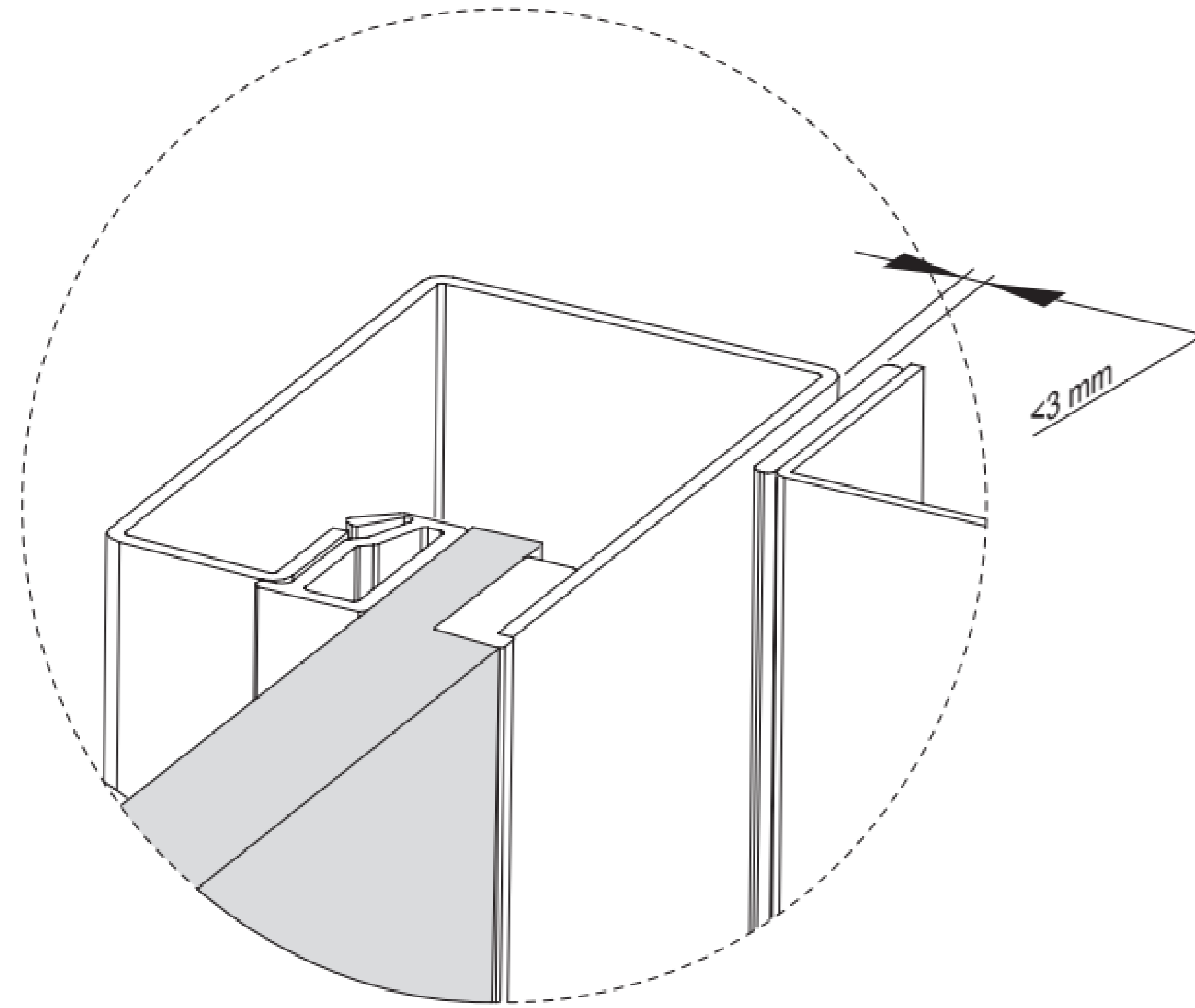
Steel epoxy (Ral) painting

Stainless Steel

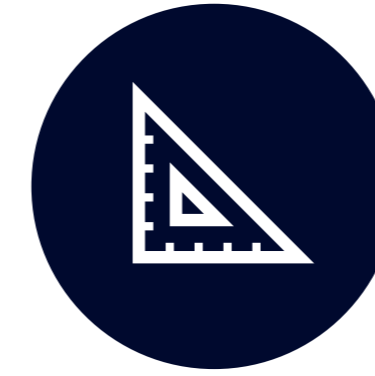
Big Vision
Bevel type 81.1/2

K L E F E R

50/11 PM Slim cabin doors



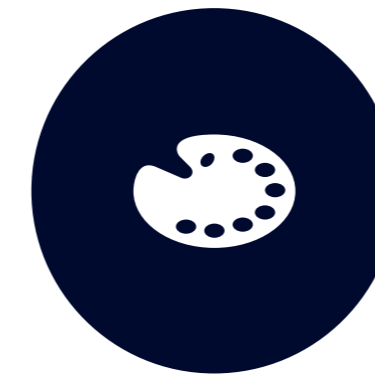
Big Vision
Flush type 81.20/50



C4 & T2 & T3

Clear Opening: 600mm – 1100mm

Clear Height: 2000 - 2100mm



FINISHING

Steel epoxy (Ral) painting

Stainless Steel

K L E F E R

Decoration Proposals



Ral 9005
Anthracite
Grey

Available in Structure Gloss



Ral 9016
Pure White

Available in Structure Gloss



Stainless Steel
Satin

Default: Aisi 304
Available in Aisi 441 & 316L.



Stainless Steel
Black Satin

Default: Aisi 304
Available in Aisi 316L.



Stainless Steel
Gold Satin

Default: Aisi 304
Available in Aisi 316L.

GET IN TOUCH

KLEFER SA
Business Park,

Kilkis,
61 100, Greece

PHONE

+30 2341075730

EMAIL

commercial@klefer.com

WEBSITE

www.klefer.com

