



KLEFER

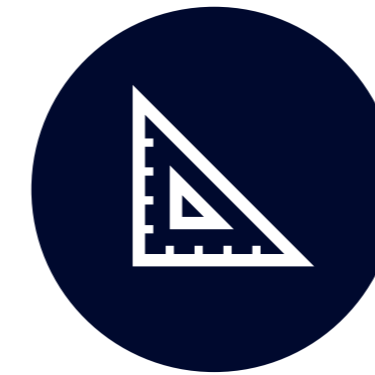
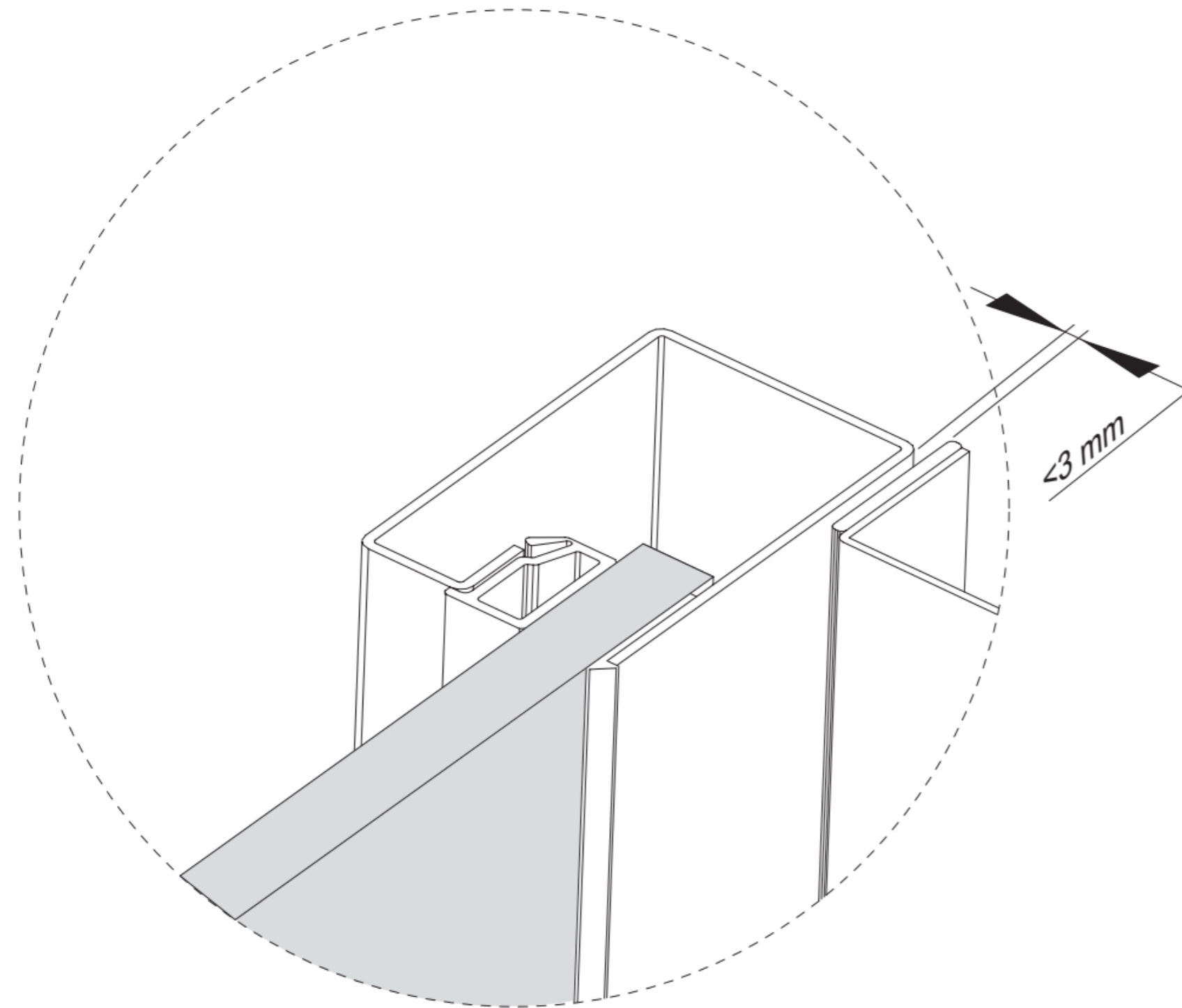
# Vision Doors

Vision Doors offers limitless possibilities. KLEFER customizable options allow you to select the perfect size, material and finishing, to create a door that truly reflects your unique style.

Contact us today to discuss your specific requirements.

K L E F E R

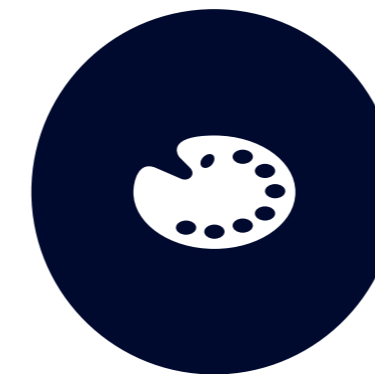
40/10 landing doors



**C2 & T2**

Clear Opening: 600mm – 900mm

Clear Height: 2000 – 2100mm



**FINISHING**

Steel epoxy (Ral) painting

Stainless Steel



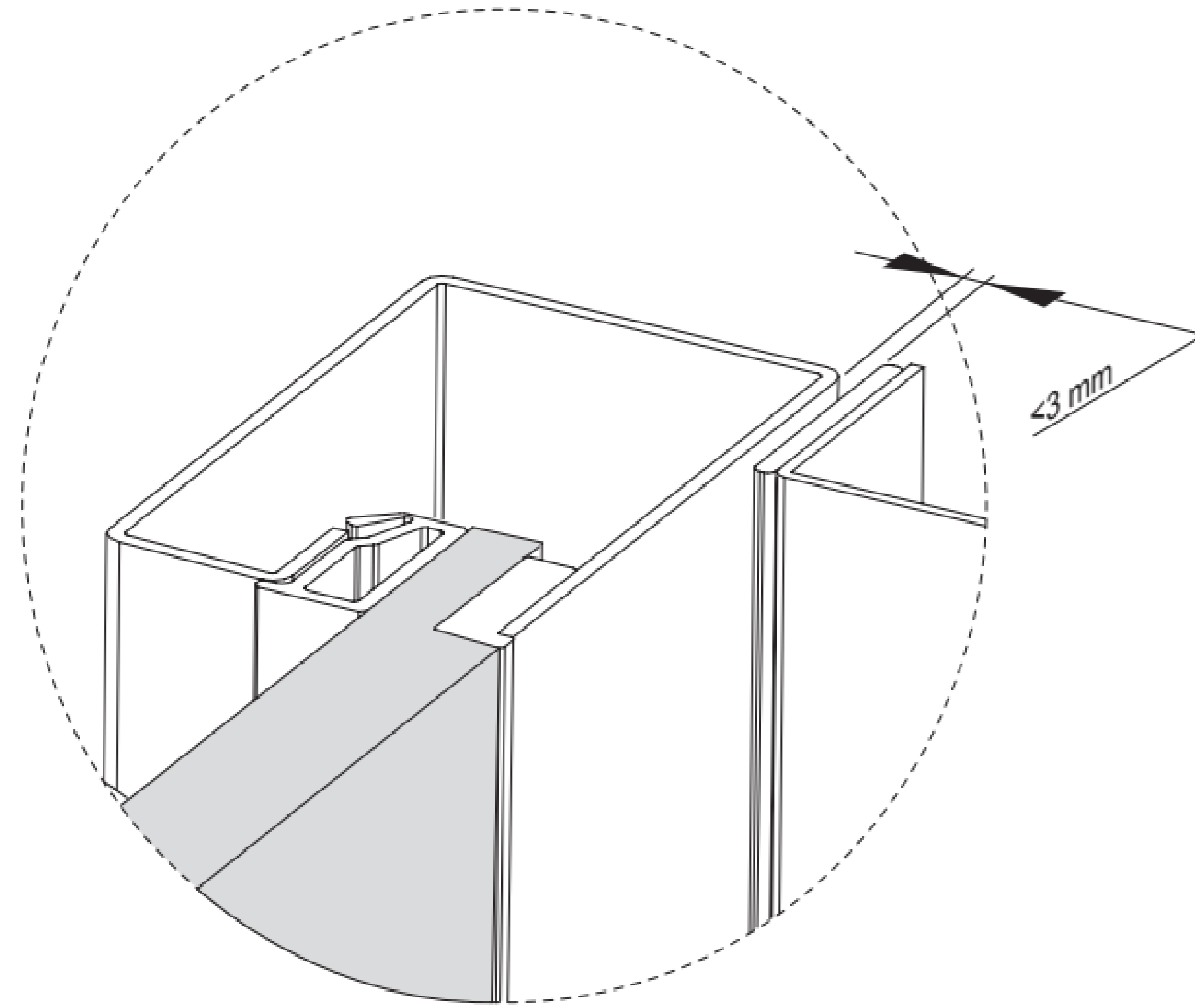
**FIRE RESISTANCE**

E0

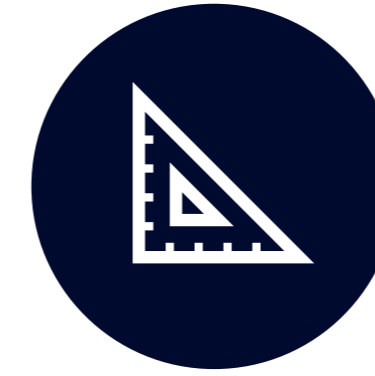
Big Vision  
Bevel type 81.1/2

K L E F E R

40/10 landing doors



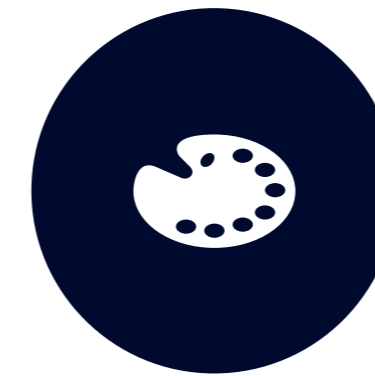
Big Vision  
Flush type 81.20/50



C2 & T2

Clear Opening: 600mm – 900mm

Clear Height: 2000 – 2100mm



FINISHING

Steel epoxy (Ral) painting

Stainless Steel



FIRE RESISTANCE

E0

KLEFER

# Decoration Proposals



Ral 7016  
Anthracite  
Grey

Default: Structure Gloss  
Available in Smooth & Texture Matt.



Ral 9010  
Pure White

Default: Structure Gloss  
Available in Smooth & Texture Matt.



Stainless Steel  
Satin

Default: Aisi 304  
Available in Aisi 441 & 316L.



Stainless Steel  
Black Satin

Default: Aisi 304  
Available in 316L.



Stainless Steel  
Gold Satin

Default: Aisi 304  
Available in Aisi 316L.

# GET IN TOUCH

KLEFER SA  
Business Park,

Kilkis,  
61 100, Greece

PHONE

+30 2341075730

EMAIL

[commercial@klefer.com](mailto:commercial@klefer.com)

WEBSITE

[www.klefer.com](http://www.klefer.com)

