



KLEFER

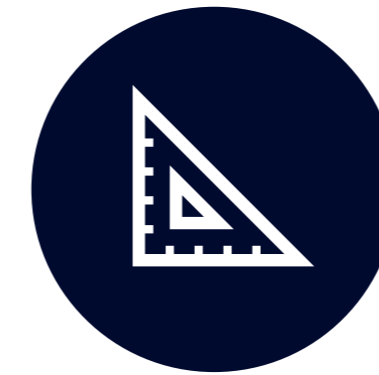
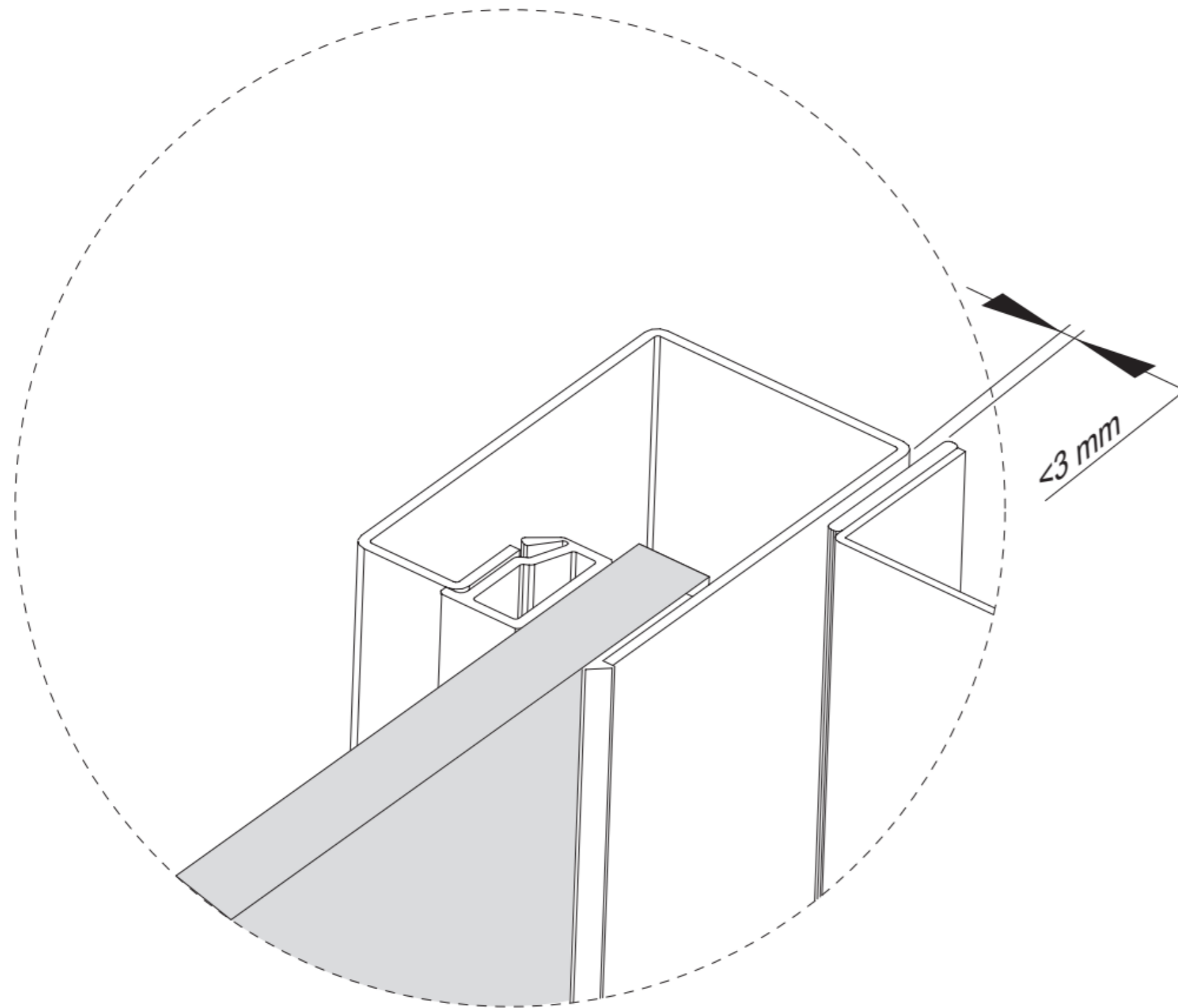
Vision Doors

Vision Doors offers limitless possibilities. KLEFER customizable options allow you to select the perfect size, material and finishing, to create a door that truly reflects your unique style.

Contact us today to discuss your specific requirements.

K L E F E R

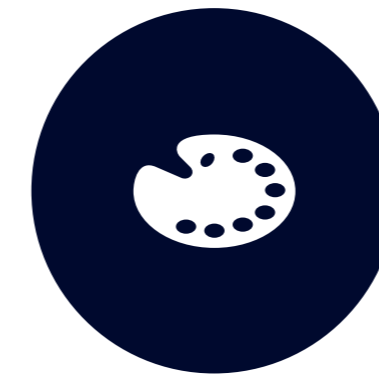
40/10 PM cabin doors



C2 & T2

Clear Opening: 600mm – 900mm

Clear Height: 2000 - 2100mm



FINISHING

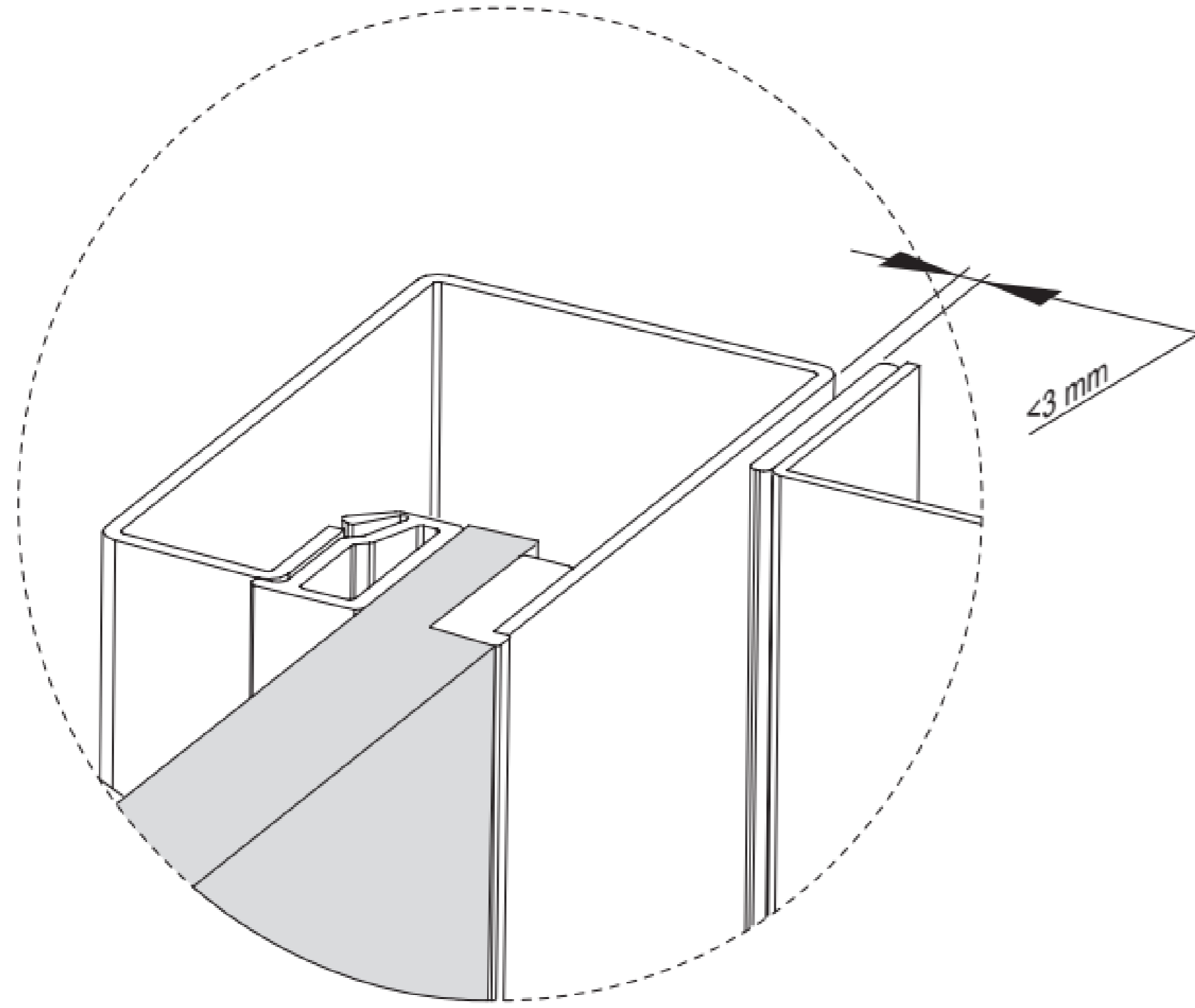
Steel epoxy (Ral) painting

Stainless Steel

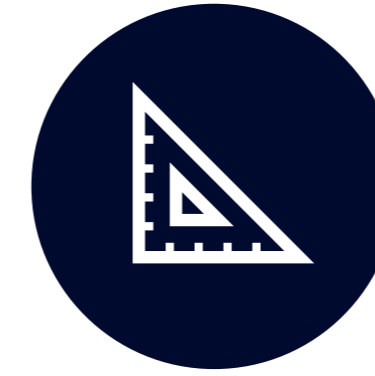
Big Vision
Bevel type 81.1/2

K L E F E R

40/10 PM cabin doors



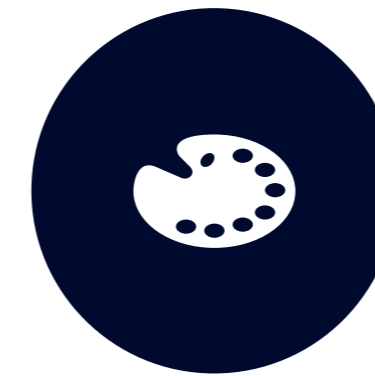
Big Vision
Flush type 81.20/50



C2 & T2

Clear Opening: 600mm – 900mm

Clear Height: 2000 - 2100mm



FINISHING

Steel epoxy (Ral) painting

Stainless Steel

K L E F E R

Decoration Proposals



Ral 7016
Anthracite
Grey

Default: Structure Gloss
Available in Smooth & Texture Matt.



Ral 9010
Pure White

Default: Structure Gloss
Available in Smooth & Texture Matt.



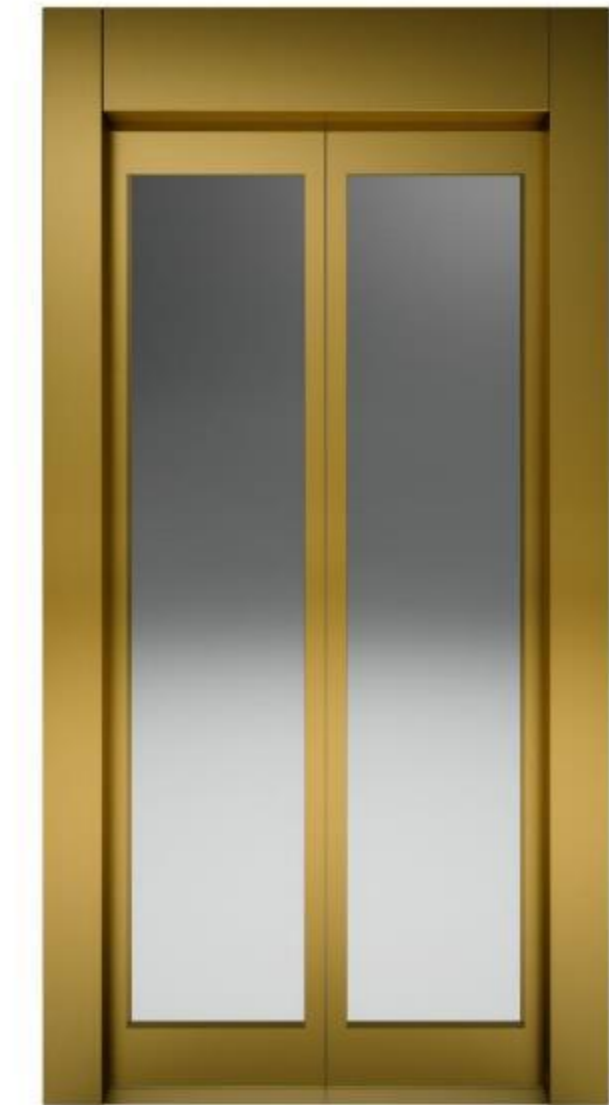
Stainless Steel
Satin

Default: Aisi 304
Available in Aisi 441 & 316L.



Stainless Steel
Black Satin

Default: Aisi 304
Available in 316L.



Stainless Steel
Gold Satin

Default: Aisi 304
Available in Aisi 316L.

GET IN TOUCH

KLEFER SA
Business Park,

Kilkis,
61 100, Greece

PHONE

+30 2341075730

EMAIL

commercial@klefer.com

WEBSITE

www.klefer.com

